



ASSEMBLY MANUAL

SPIRIT Series

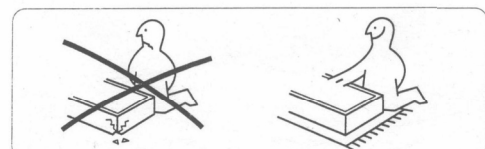
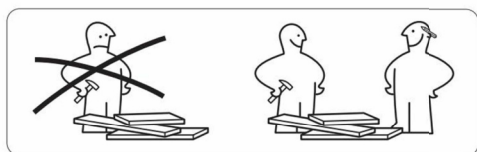
Video Assembly manual is also available.
Scan the QR code for direct link to the video manual.

Video manual



NOTE:

We highly recommend following the step by step video assembly manual.



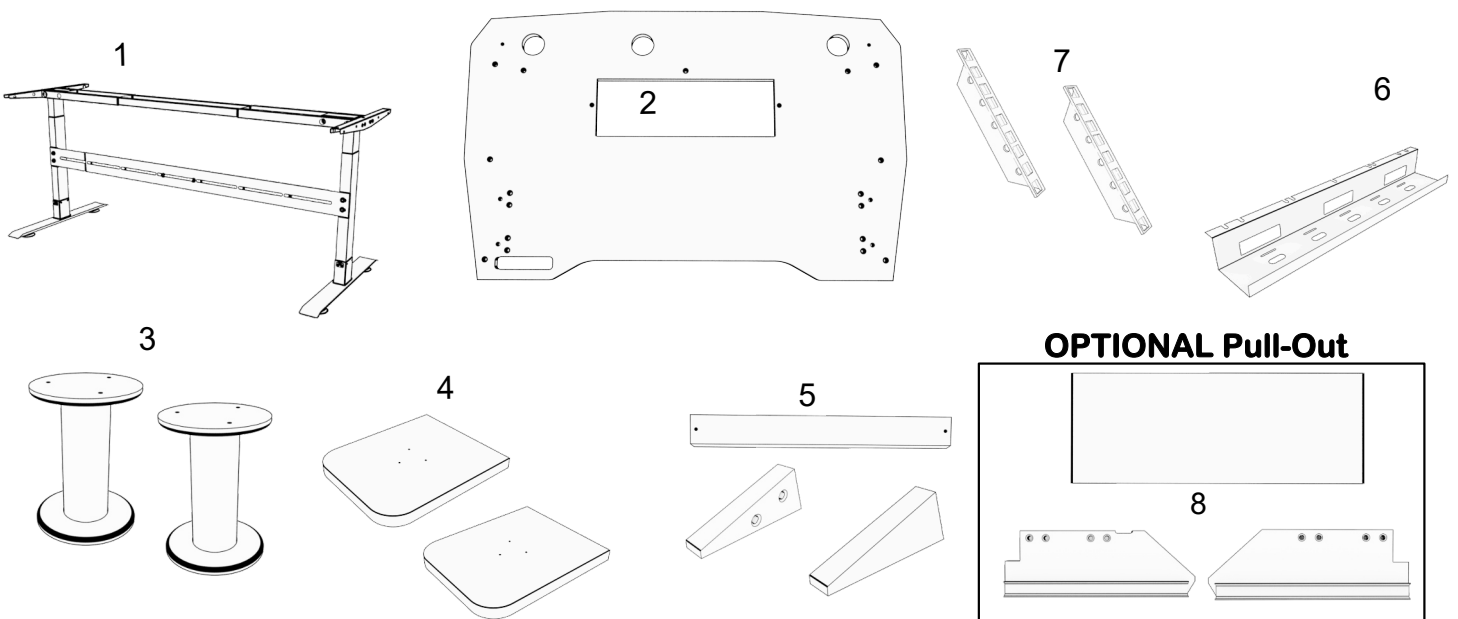
! **NOTE:** In order to avoid injury or damages, please do not try to assemble your desk alone. Our furniture is massive and heavy and requires at least two people to carry out assembly. Please assemble on soft surface to avoid scratches to the lacquer.

Thank you for making StudioDesk your desk of choice!

Before beginning assembly of your desk, let's get familiar with the parts you have received in your package. Please match the corresponding numbers on this page with the drawings.





Parts

1. Motorized platform, 2. Main board, 3. Shelf holders, 4. Speaker shelves, 5. Rack rail holder, 6. Cable management tray, 7. Rack rails, 8. Pull out option




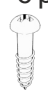



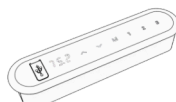
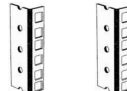


Hardware



TOOLS needed

<p>① M6 x 12 Screw 20 pcs</p> 	<p>② Washer M6 3 pcs</p> 	<p>③ Hexagon wrench 1pc</p> 	<p>④ StudioDesk sticker 1 pcs</p> 
---	--	---	--



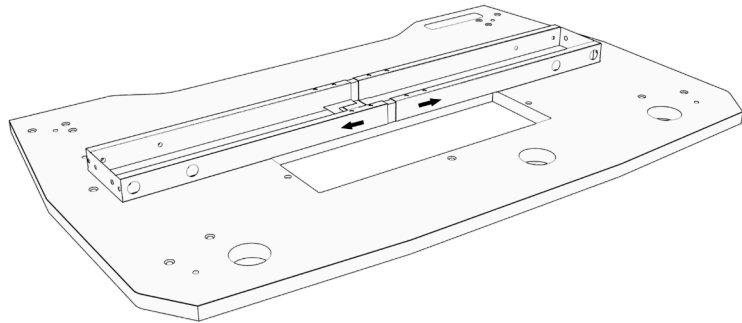
<p>⑤ Confirmat screws 7 x 50 4 pcs</p> 	<p>⑥ Shelf holder screw 2 pcs</p> 	<p>⑦ Cable inlay 3 pc</p> 	<p>⑧ Screw for wood 6 pcs</p> 
--	---	---	---

<p>⑨ Dowels 10/40 8 pcs</p> 	<p>⑩ Height controller 1 pcs</p> 	<p>⑪ Rackrails 2 pcs</p> 	<p>⑫ Cagenuts 12 pcs</p> 	<p>M6 x 12 Screw Black 12 pcs</p> 
---	--	--	--	---

<p>⑬ Desk glides 8 pcs</p> 	<p>PULLSPIRIT Hexagon wrench (1pc) M6 x 12 screw (16 pcs) Long L bracket (4 pcs)</p> 
--	---

1

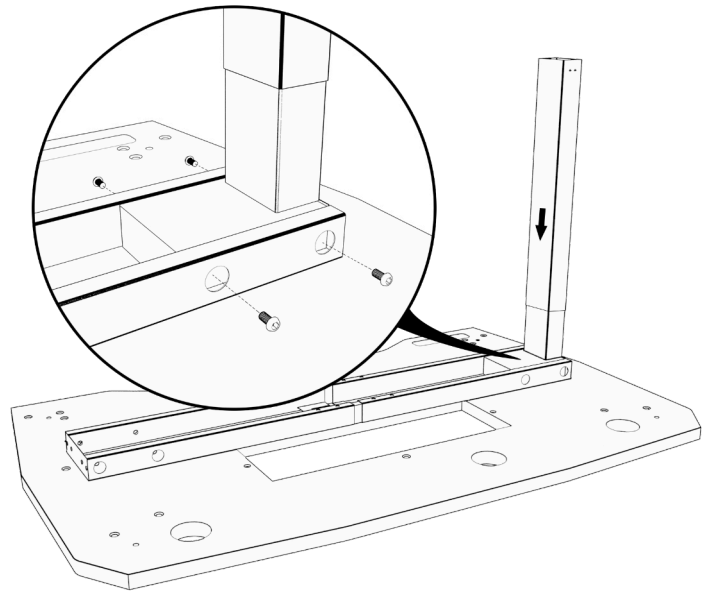
Step One Start off by placing the horizontal support in the middle to set the distance between the left and right leg.



2

Step Two

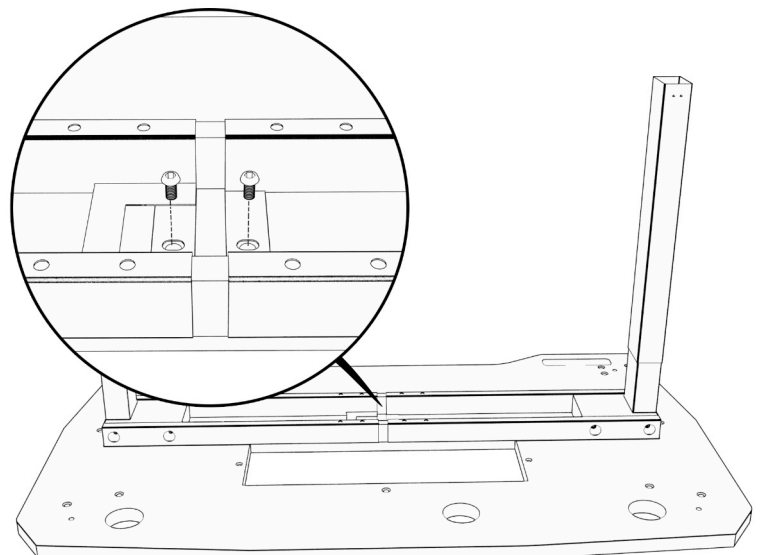
Insert the electric motorized leg into the horizontal support and screw it in using 4 x hexagon screws for each leg. Don't forget to connect the motorized leg to the controller. The controller can also be installed onto the horizontal support.



3

Step Three

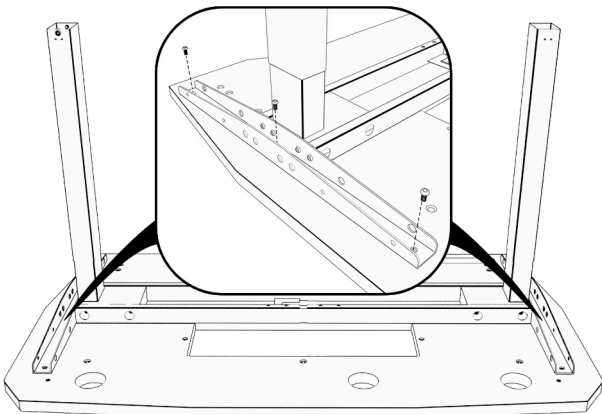
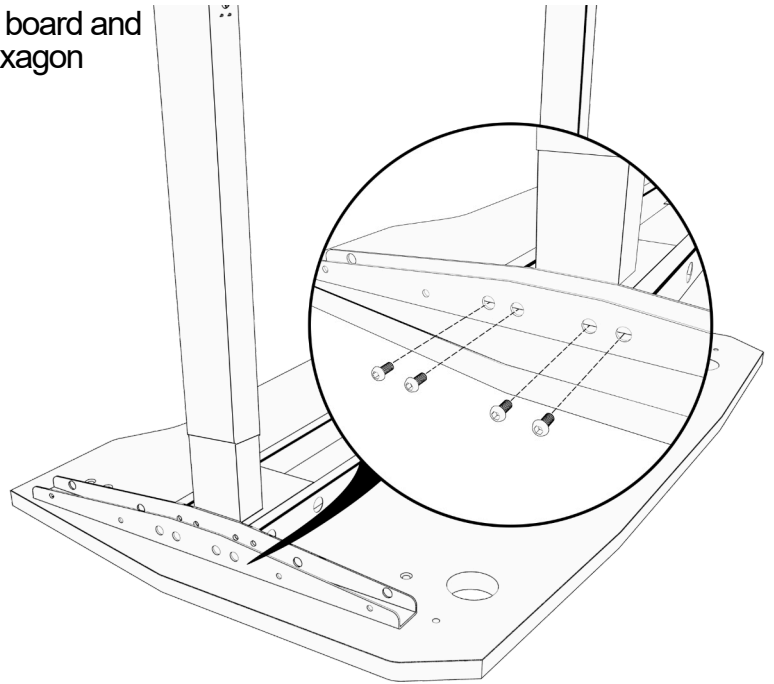
Screw in the horizontal support to the main board using 2 x hexagon screws



4

Step Four

Place the U profiles on each side of the main board and screw it to the horizontal support using 4 x hexagon screws for each U profile.



5

Step Five

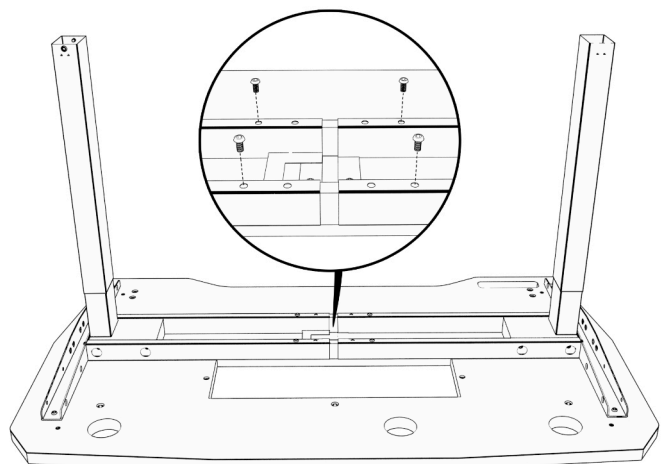
Screw in the U profiles to the main board using 3 x hexagon screws for each U profile.



6

Step Six

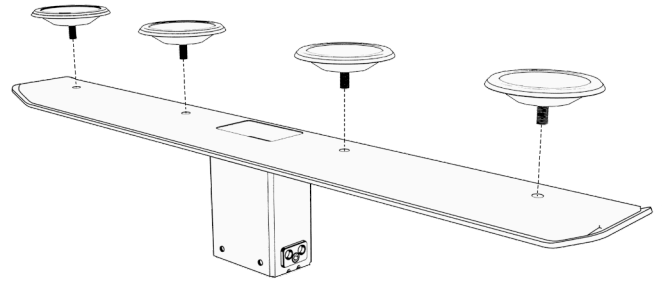
Secure the horizontal support length in the middle using 4 x hexagon screws. Note: The screws DON'T go all the way in.



7

Step Seven

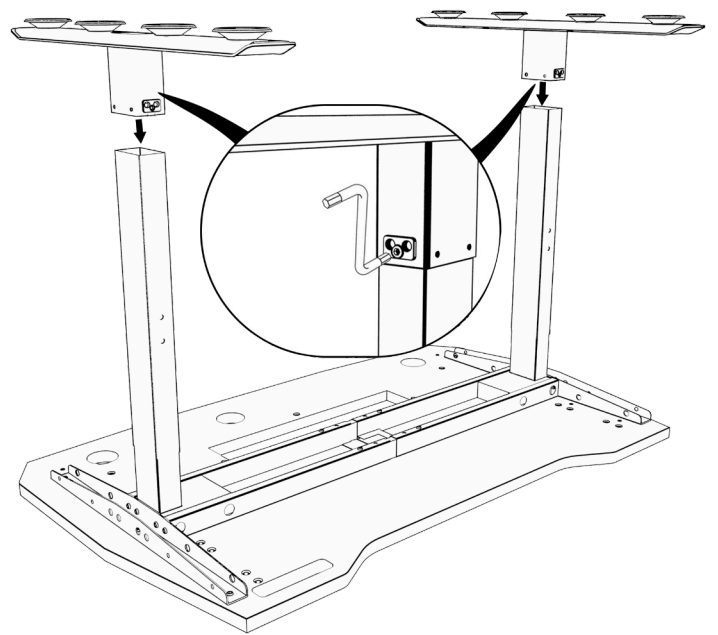
Screw in the 4 x desk glides into each leg.



8

Step Eight

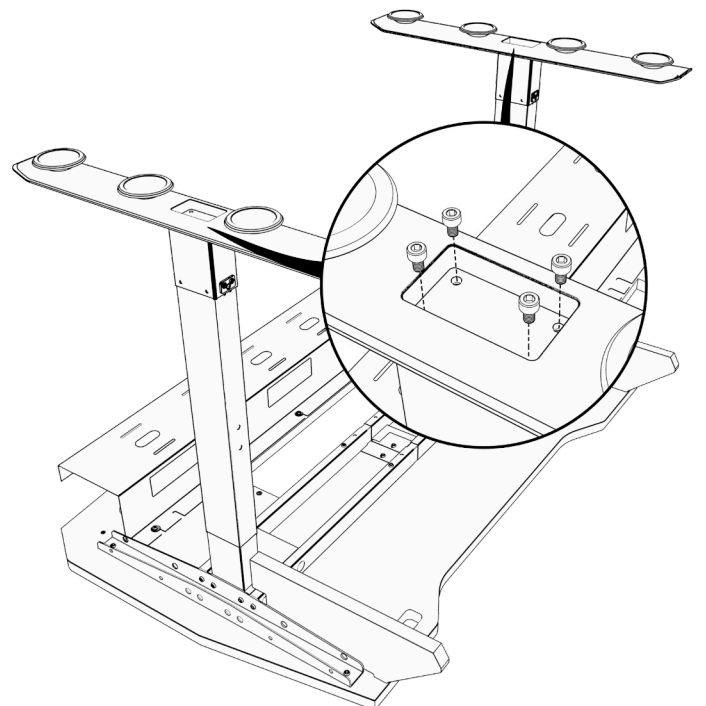
Mount the bottom part of the leg and tighten it.



9

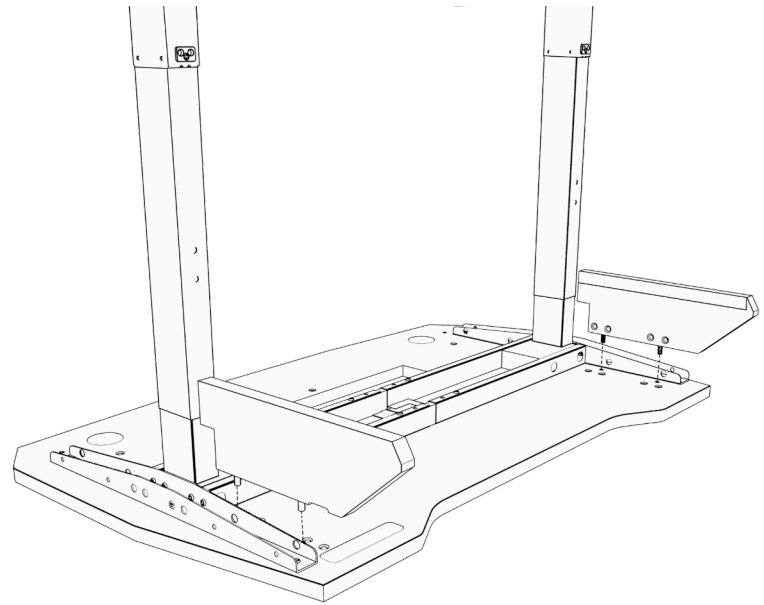
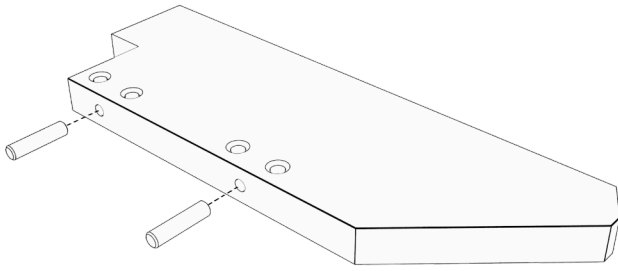
Step Nine

Also fix the leg from the bottom using 4 x hexagon screws for each leg.



10 Step Ten

Insert 2 x dowels into the pullout sides

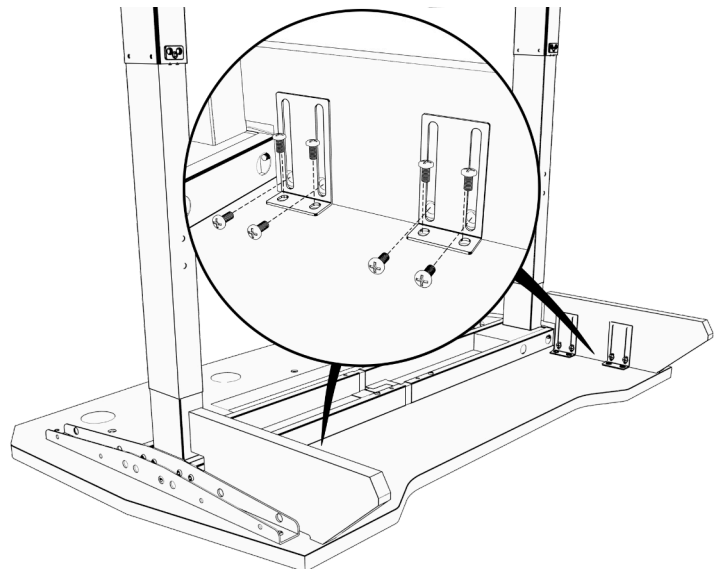


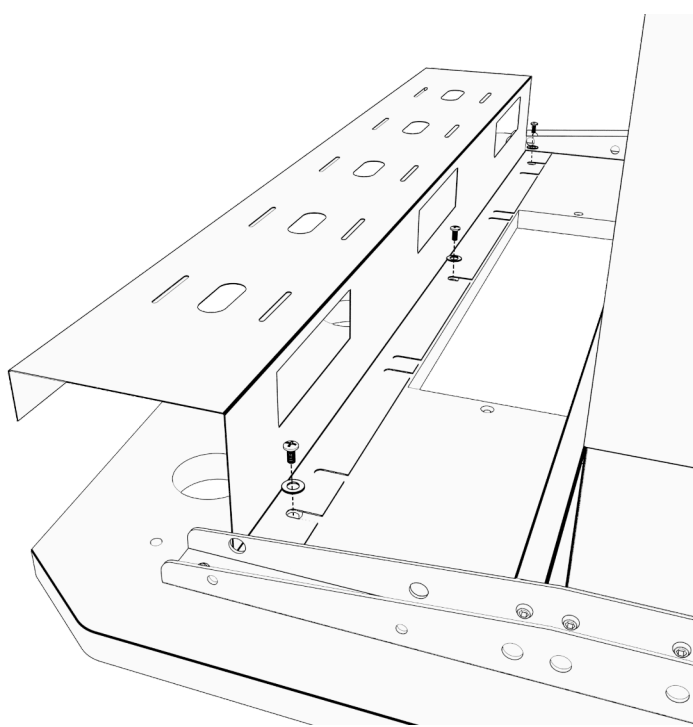
11 Step Eleven

Mount the pullout sides onto the main board.

12 Step Twelve

Fix it using long brackets and 8 x M6 screws for each side. The long brackets allow you to adjust your pullout height.





13

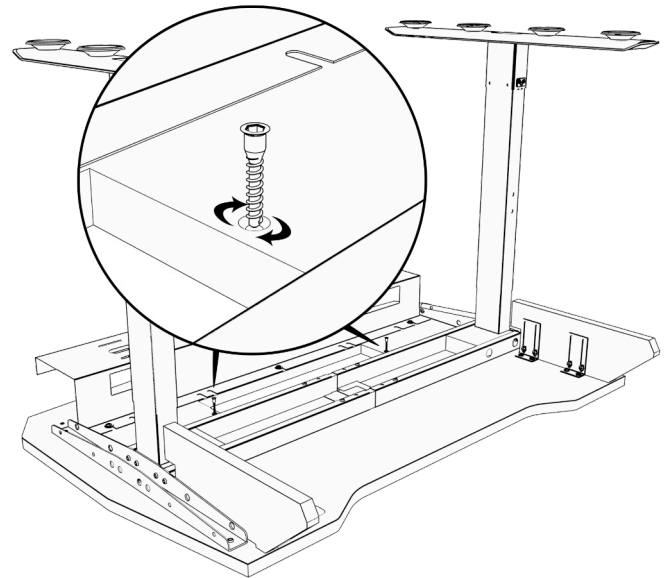
Step Thirteen

Screw in the cable management tray using 3 x M6 screws.

14

Step Fourteen

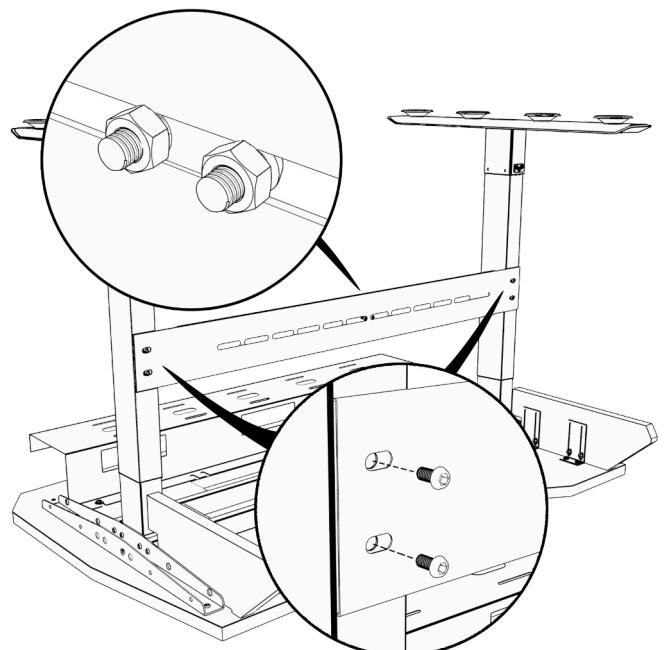
Slightly screw in 2 x confirmat screws into the main board by hand. Note: Not all the way.

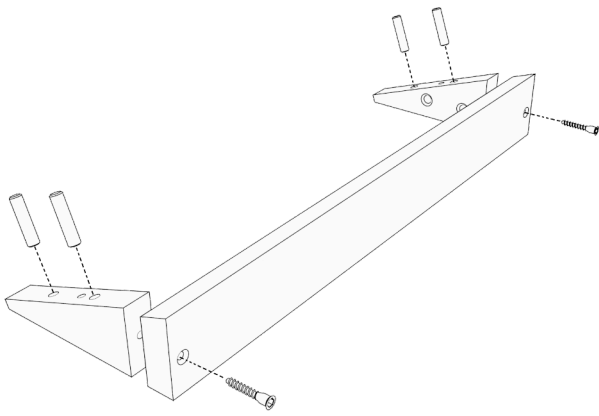


15

Step Fifteen

Mount the horizontal stabilizer and screw it into the legs using 2 x hexagon screws on each side and place 2 x screws in the middle holes and use nuts to tighten them.





16

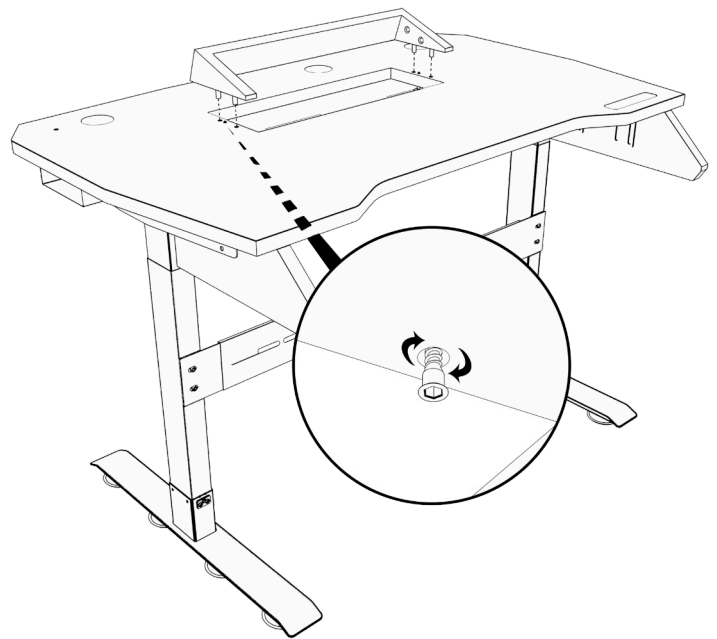
Step Sixteen

Organize your three middle pieces together and put 2 x dowels into each side piece and fix all three parts together with 2 x confirmat screws

17

Step Seventeen

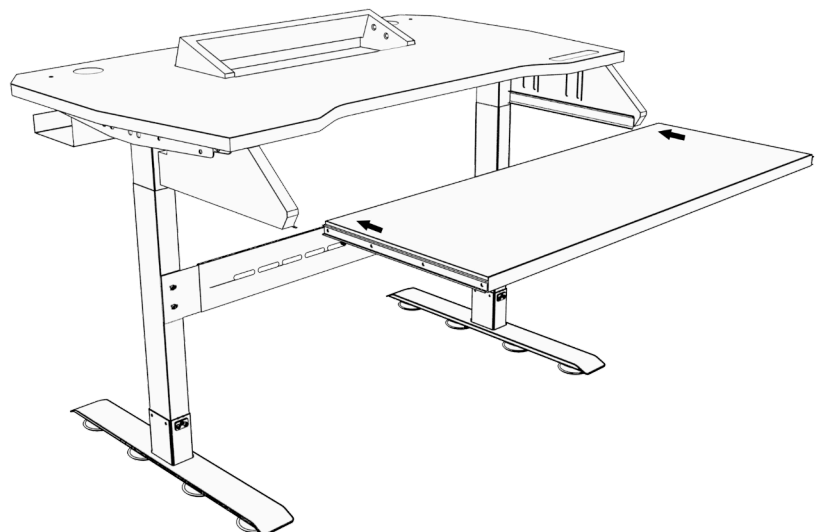
Flip the desk up right, place the dowels of the middle piece in the main board and screw in the 2 x confirmat screws from the bottom.



18

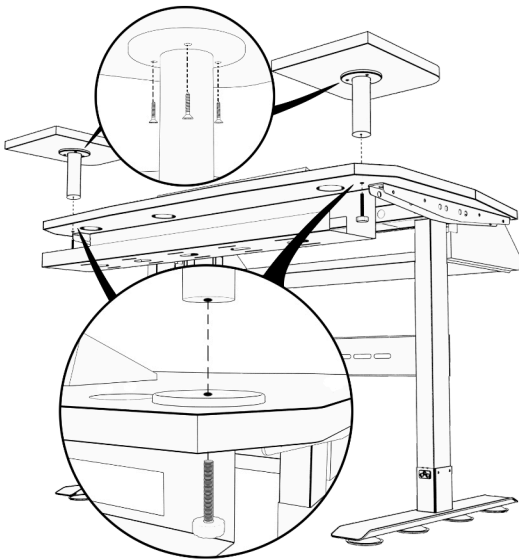
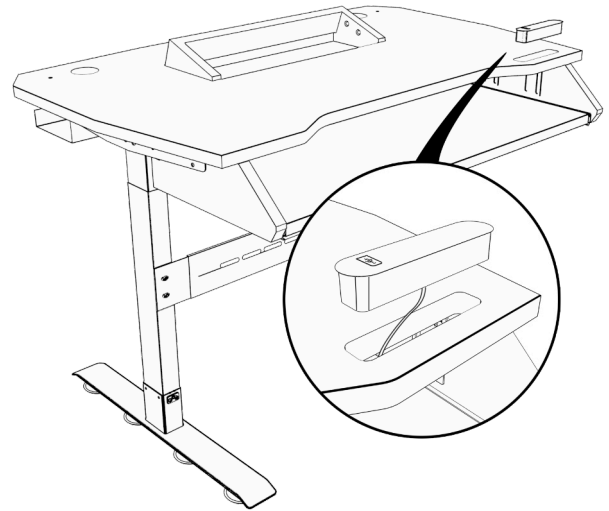
Step Eighteen

2 People recommended for this step:
From the pullout sides, make sure the slide on the pullout mechanism is all the way out. Take the pullout board and insert it into the sides. Press the safety pin on each side of the pullout mechanism (on the board) and push the pullout in. Try it a few times until it goes all the way in and you will hear a louder click sound when it does.



19 Step Nineteen

Insert the height controller into the main board and connect it to the motorized leg controller.

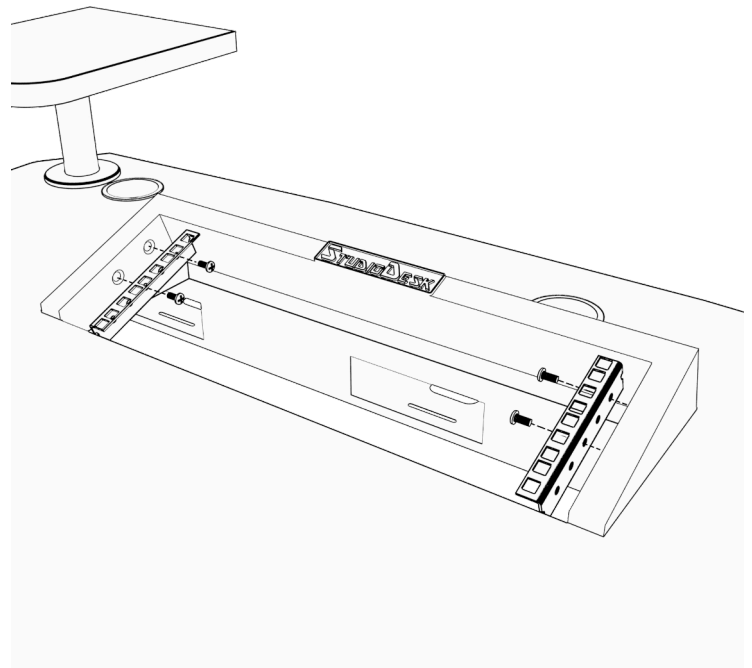


20 Step Twenty

First: Fix the speaker shelves to the shelf holder using 3 x screw for wood for each shelf. Then mount the shelf holders to the main board using a long screw like shown in the picture..

21 Step Twenty One

Screw in the rack rails into the middle piece.



CONGRATULATIONS YOUR NEW DESK IS READY!