



ASSEMBLY MANUAL

FANTOM Series

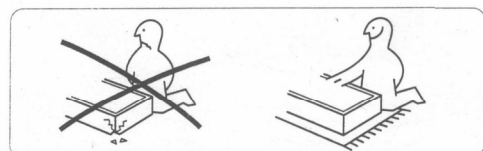
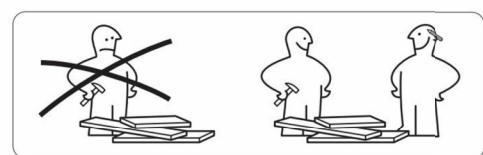
Video Assembly manual is also available.
Scan the QR code for direct link to the video manual.

Video manual



NOTE:

We highly recommend following the step by step video assembly manual.



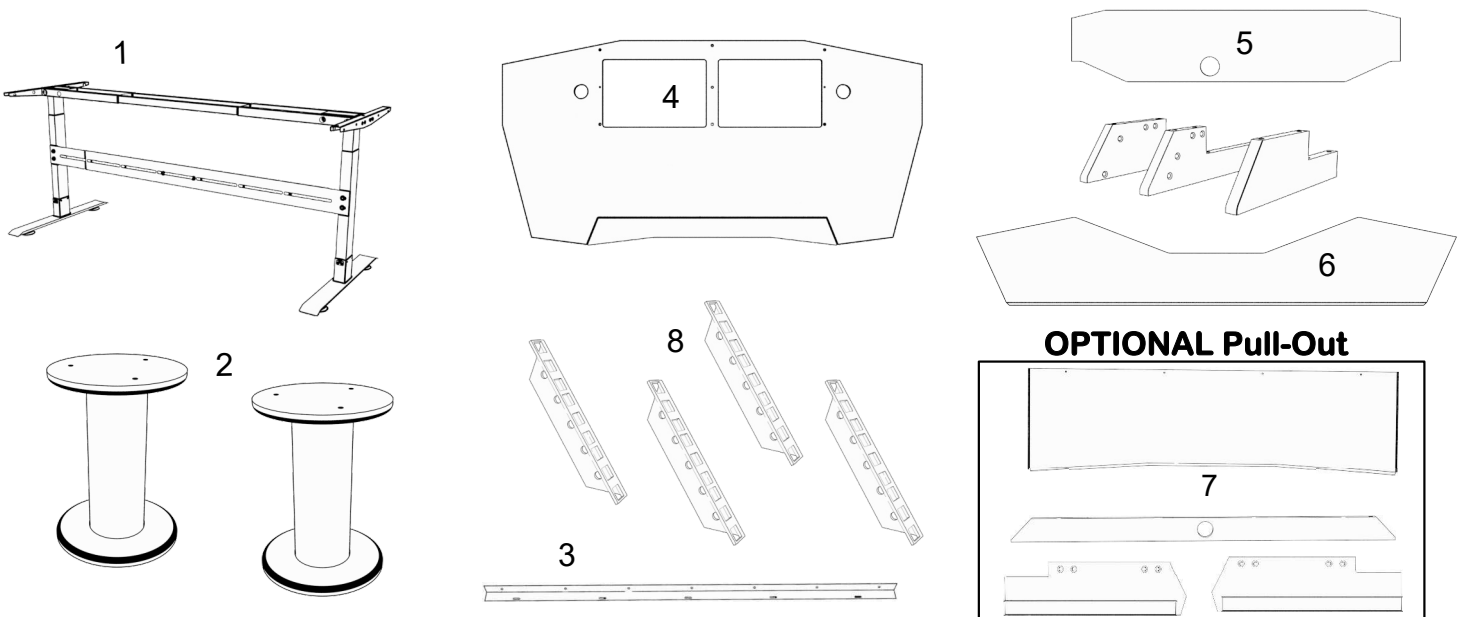
NOTE: In order to avoid injury or damages, please do not try to assemble your desk alone. Our furniture is massive and heavy and requires at least two people to carry out assembly. Please assemble on soft surface to avoid scratches to the lacquer.

Thank you for making StudioDesk your desk of choice!

Before beginning assembly of your desk, let's get familiar with the parts you have received in your package. Please match the corresponding numbers on this page with the drawings.

Parts

1. Legs 2. Shelf Holder 3. Cable management/strengthening Bar 4. Desk surface 5. Back/Computer shelf 6. Top shelf and dividers 7. Pull out parts 8. Rack Rails








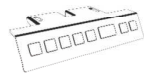



Hardware



TOOLS needed

<p>① M6 x 12 Screw 35 pcs</p> 	<p>② Washer M6 7 pcs</p> 	<p>③ Hexagon wrench 1pc</p> 
---	--	---



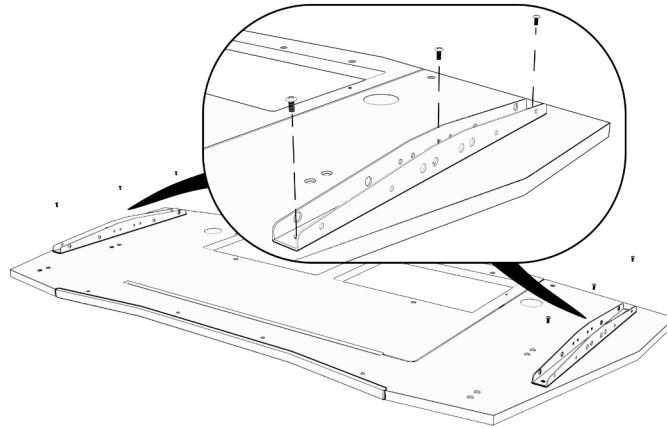
<p>④ Confirmat screws 7 x 50 3 pcs</p> 	<p>⑤ Metal brackets 5 pcs</p> 	<p>⑥ Cable inlay 3 pc</p> 	<p>⑦ Screw for wood 6 pcs</p> 
--	---	---	---

<p>⑧ Dowels 10/40 18 pcs</p> 	<p>⑨ Height controller 1 pcs</p> 	<p>⑩ Rackrails 4 pcs</p> 	<p>⑪ Cagenuts 16 pcs</p>  <p>M6 x 12 Screw Black 16 pcs</p> 
--	--	--	--

<p>RGB LED SET</p> <p><input type="checkbox"/> FANTOM Plug</p> <p><input type="checkbox"/> EU</p> <p><input type="checkbox"/> US <input type="checkbox"/> UK</p> 	<p>PULLFANTOM#2</p> <p>Cable inlay (1pc)</p> <p>Hexagon wrench (1pc)</p> <p>M6 x 12 screw (16 pcs)</p> <p>Confirmat screw 7x50 (5 pcs)</p> <p>Long L bracket (4 pcs)</p> 
--	---

1

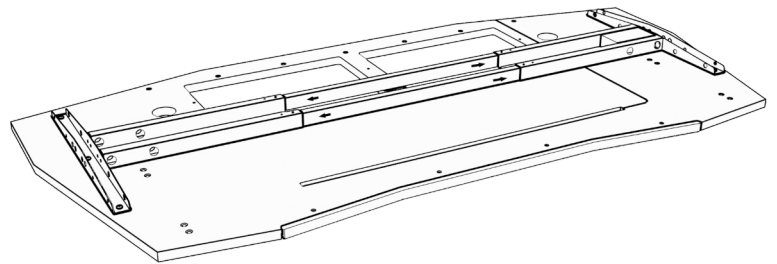
Step One Start off by placing the U-profile rods on each side of the bottom of the main board so the two larger central holes are facing outward and screw them in using 3 x M6 screws on each side as shown in the picture.



2

Step Two

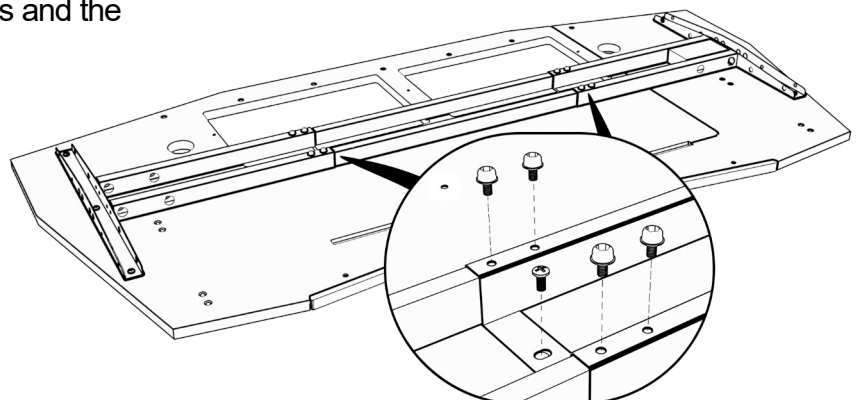
Place the horizontal support for the main board as shown in the picture. Beware that the holes on the U-profiles and the horizontal support align.



3

Step Three

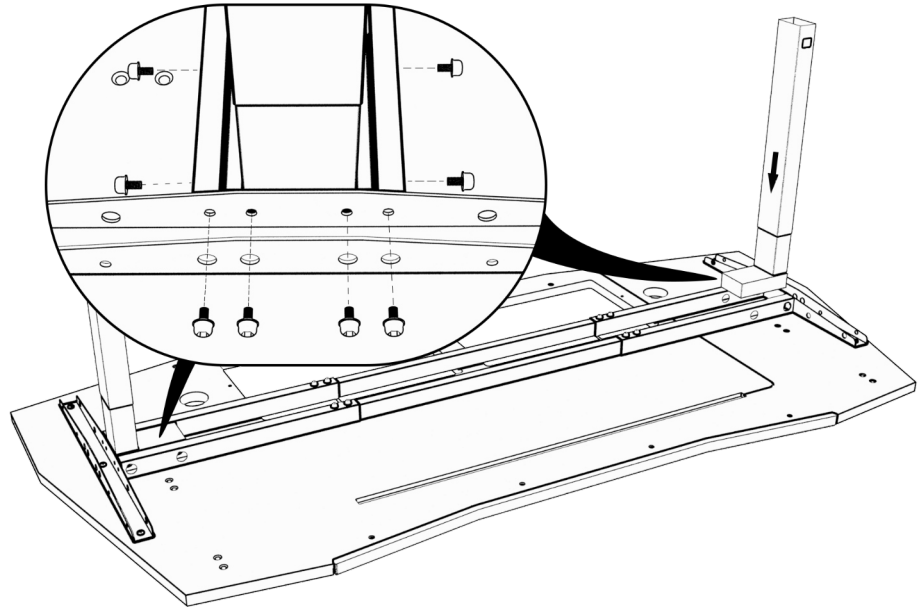
Screw in the horizontal support together using 8 x Hexagon head screws and screw the support to the main board using 2 x M6 screws as shown. If there stays a gap between the hexagon screws and the support, it's normal.



4

Step Four

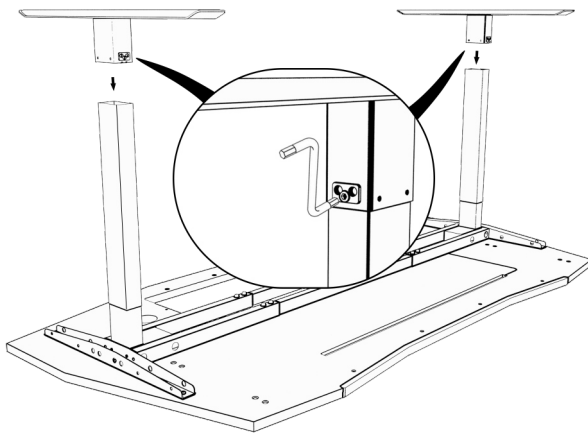
Place and screw in the motorized legs using 12 x hexagon head screws on each leg. Be careful that the threads on the legs are facing the front of the desk.



5

Step Five

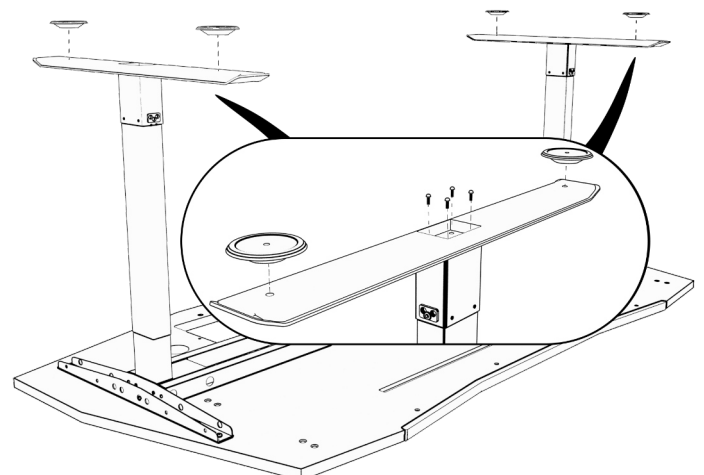
Place and screw in the base of the motorized leg using 1 x hexagon head screw on each side like shown in the picture



6

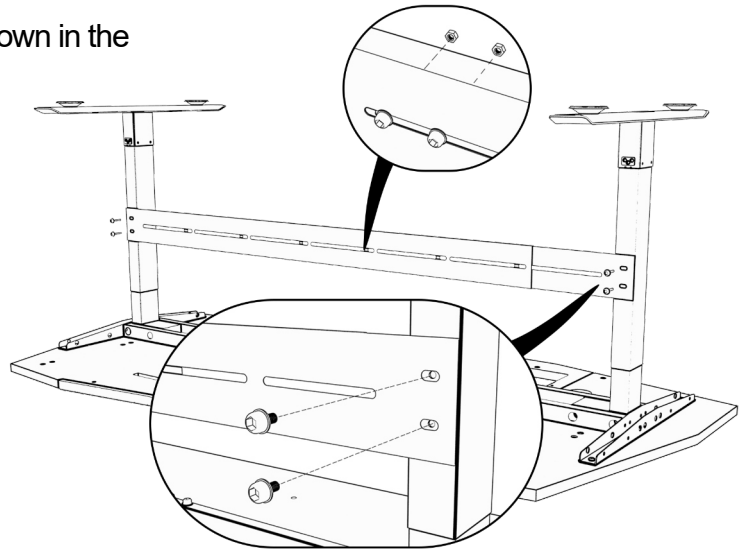
Step Six

Screw in the desk glides and 4 x hexagon head screws in each leg as shown in the picture.

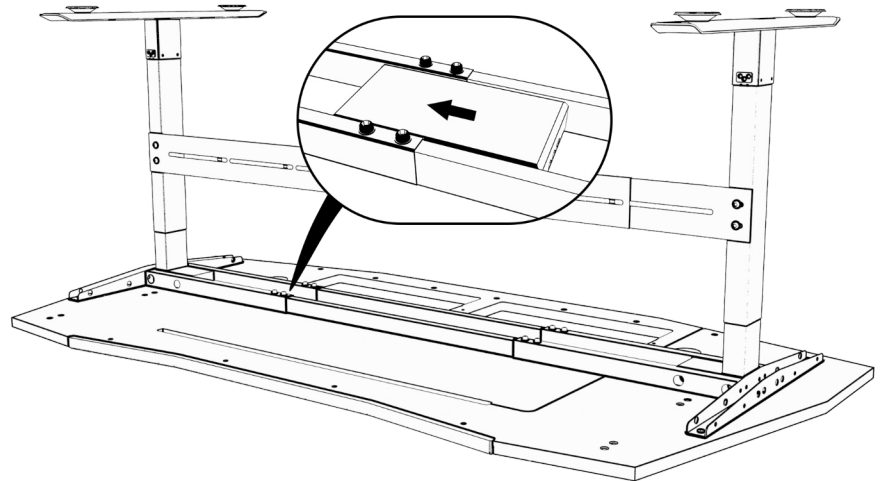


7**Step Seven**

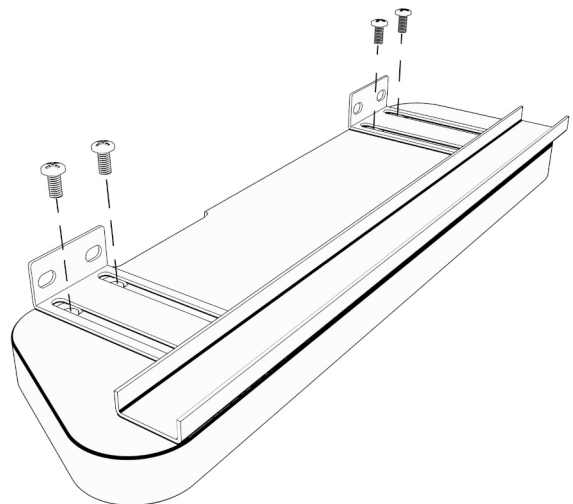
Install the stabilizing bridge for the legs as shown in the picture.

**8****Step Eight**

Insert the controller for the legs into the horizontal support. It should slide into one of the sides as shown below.

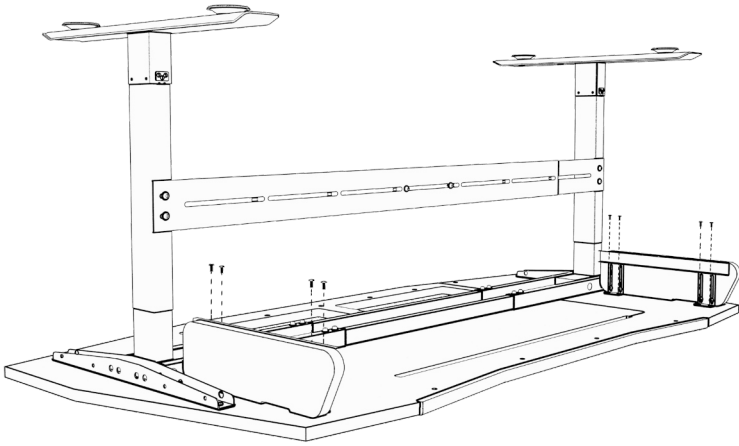
**9****Step Nine**

Install the long brackets to the desired height of your pull out as shown in the picture. The pull out height can be adjustable.



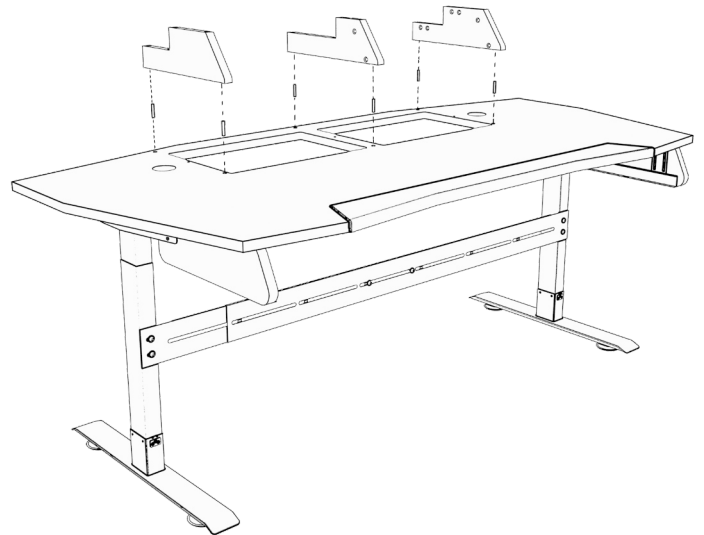
10 Step Ten

Install the pull out sides to the bottom of the main board using 4 x M6 screws on each side.



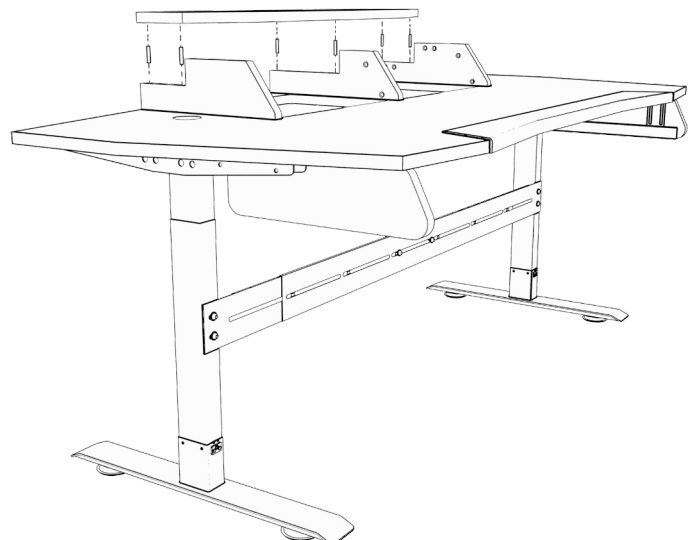
11 Step Eleven

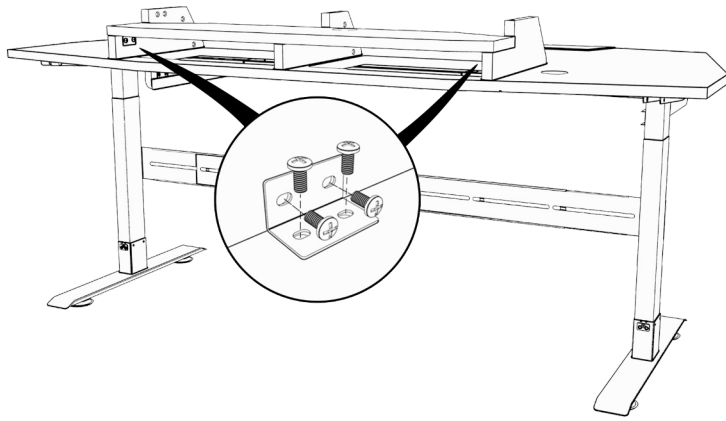
Flip the desk onto its legs and install the three rack dividers into the main board using 2 x dowels for each divider like shown in the picture.



12 Step Twelve

Install the back/monitor shelf onto the dividers by placing 2 dowels in each divider and push the shelf onto the dowels.





13

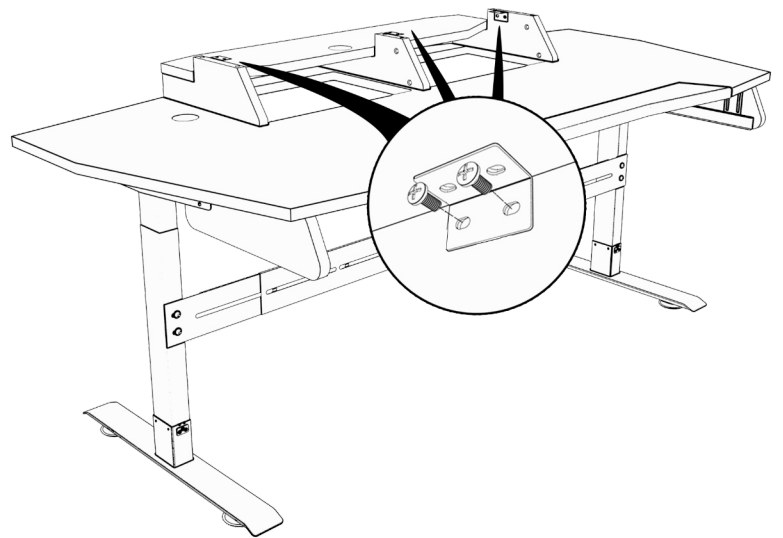
Step Thirteen

Fix the dividers and the monitor shelf using M6 screws and brackets on each end of the shelf and the inside of the divider.

14

Step Fourteen

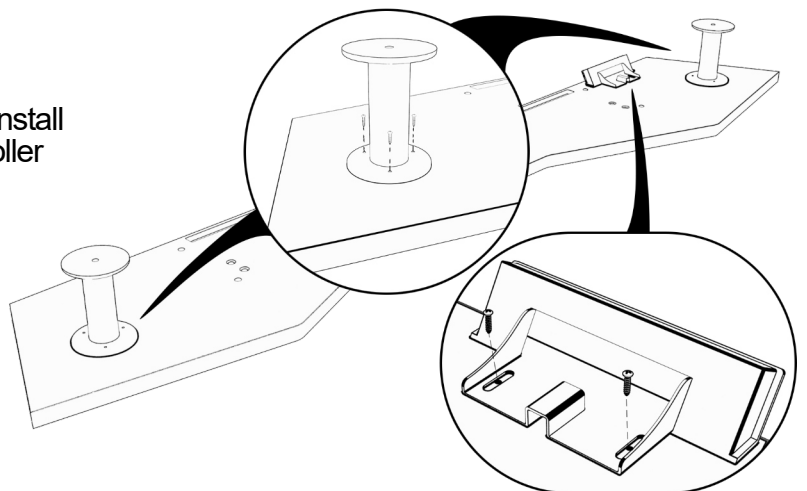
Install 3 brackets onto the dividers for the top shelf like shown in the picture.

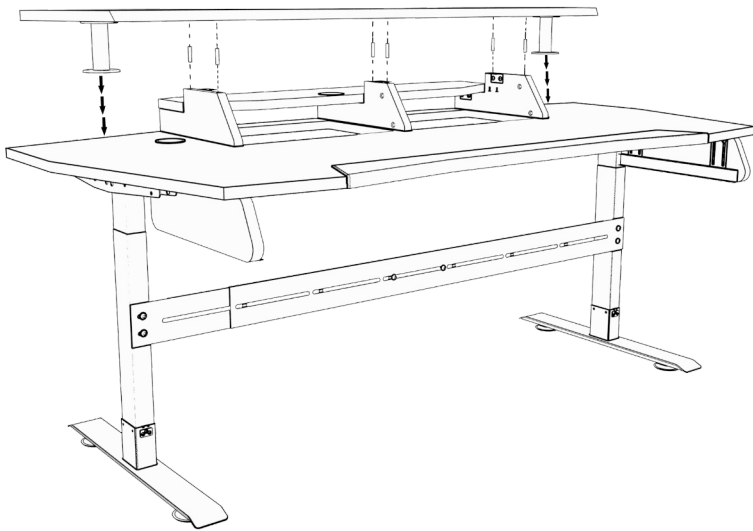


15

Step Fifteen

Turn the top shelf upside - down and install the shelf holders and the height controller using screws for wood.





16

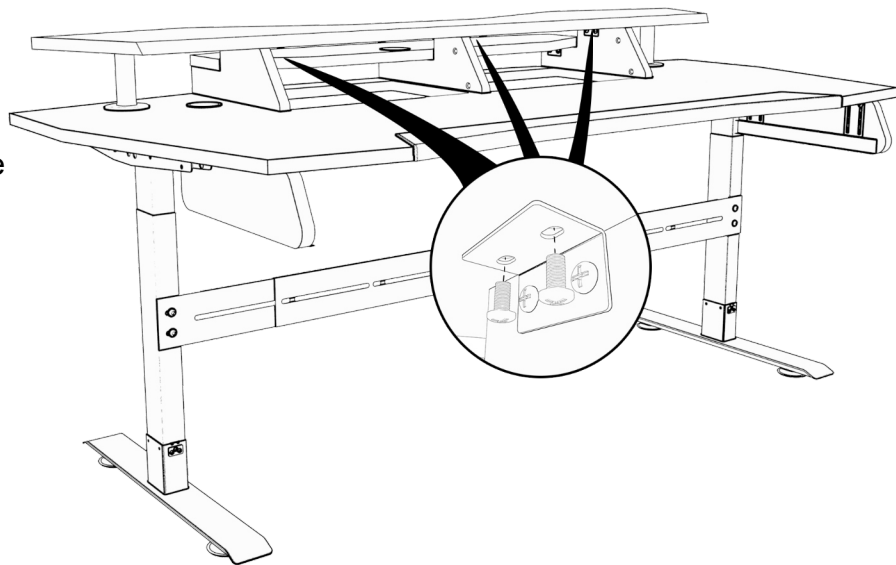
Step Sixteen

Place the top shelf onto the rack dividers using 6 dowels like shown in the picture.

17

Step Seventeen

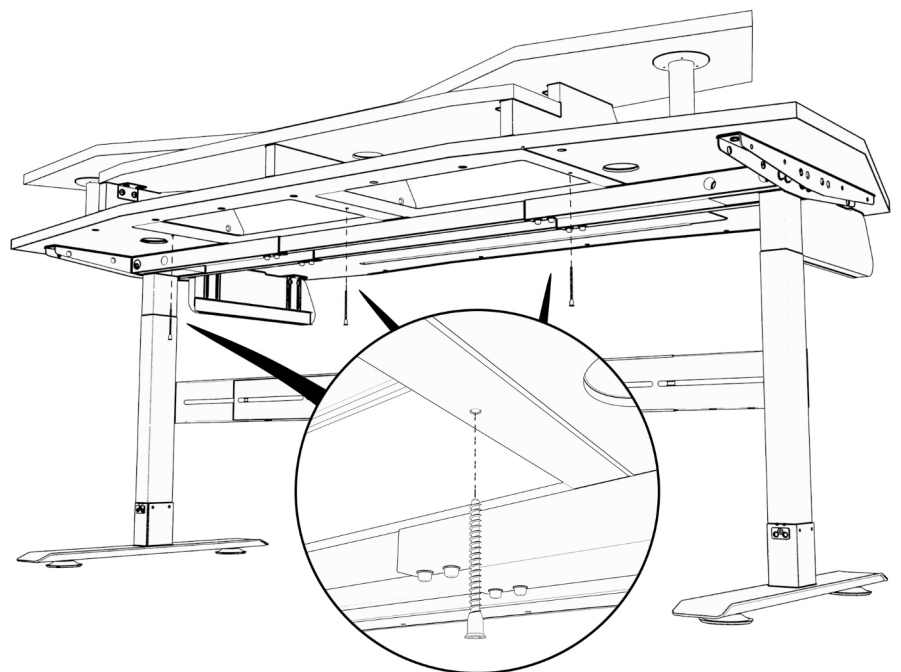
Fix the top shelf to the rack dividers by screwing the brackets into the top shelf like shown in the picture.



18

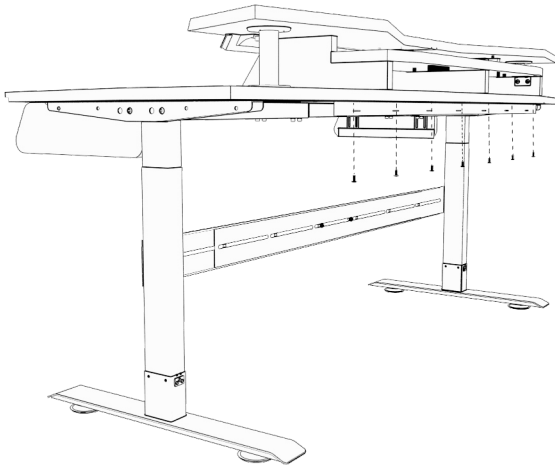
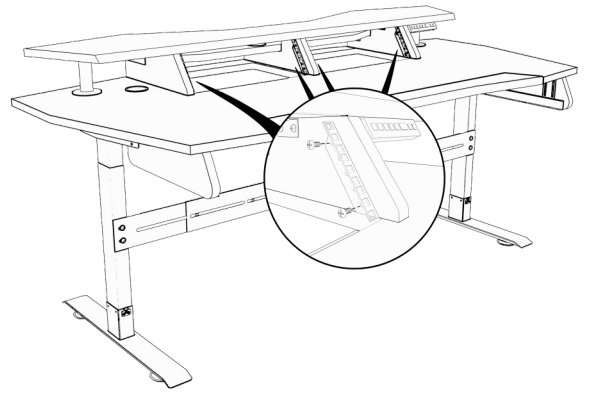
Step Eighteen

Fix each rack divider with the main board using 1 x confirmat screw in each divider like shown in the picture.



19 Step Nineteen

Install the 6U rack rails using Black M6 screws like shown in the picture.



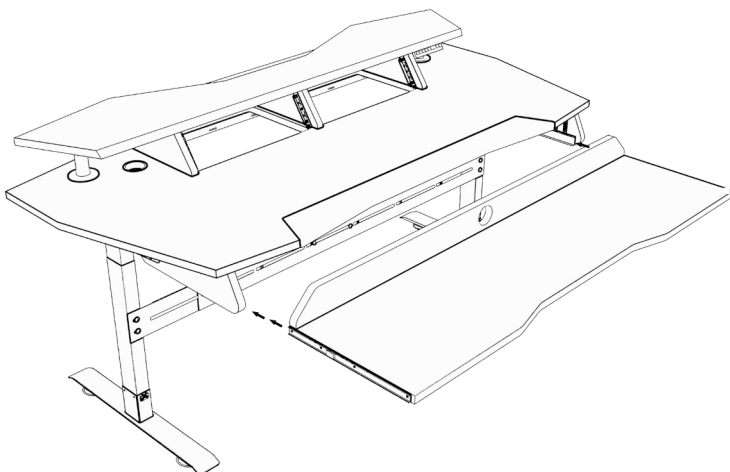
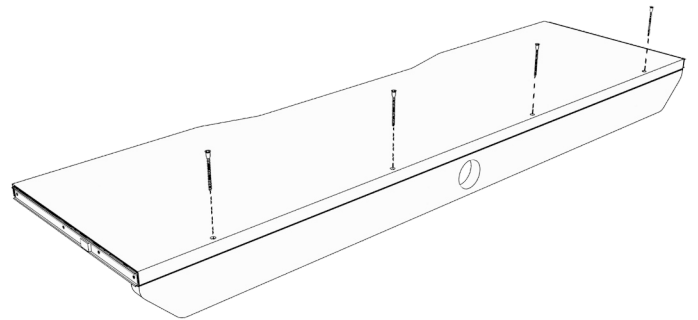
20 Step Twenty

Install the strengthening bar/cable management system using 7 x M6 screws and washers like shown in the picture.

The next steps are for the pull-out option

21 Step Twenty One

Install the back board onto the pull out main board using 4 x confirmat screw



22 Step Twenty Two

Insert the keyboard main board evenly to the pull out rails, making sure that both glides are in the front position. Push the main board evenly on both sides into the rails to the end, when its in place you will hear a click sound.

CONGRATULATIONS YOUR NEW DESK IS READY!