



ASSEMBLY MANUAL

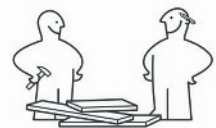
VADBL VALOR STATION Gamer workstation

**FOLLOW THE LINK FOR STEP BY STEP
VIDEO ASSEMBLY MANUAL**



NOTE:

Please assemble your product on soft surface to avoid scratches and damages on lacquer.

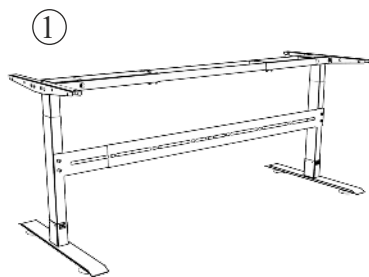
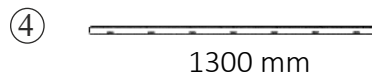
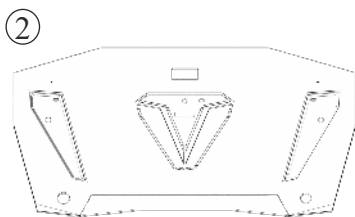


Thank you for making StudioDesk your desk of choice!

Before beginning assembly of your stand, let's get familiar with the parts you have received in your package. Please match the corresponding numbers on this page with the drawings.

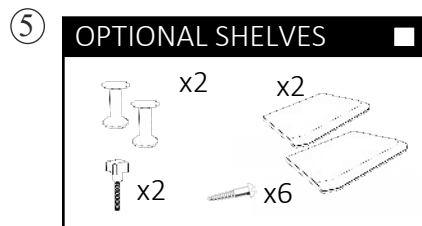
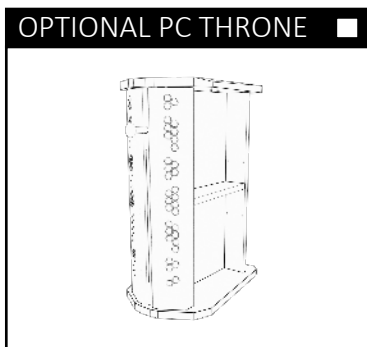
Parts

1. Motorized Electric legs
2. Desk surface
3. Set of glasses
4. Cable management bar



POWER CORD



CONTROLLER




Hardware

Tools needed (Not included)

<p>⑥ M6 Screw 15 pcs</p> 	<p>⑦ Washers 7 pcs</p> 	<p>⑧ Plastic cover 2 pcs</p> 
--	--	--

<p>⑨ 1pc LED SET VALOR</p>	<p>⑩ CUP Holder 1 pc</p> 	<p>⑪ Self adhesive Cable holder 5 pcs</p> 
------------------------------------	--	--

<p>⑫ Cable stripes 6 pcs</p> 
--



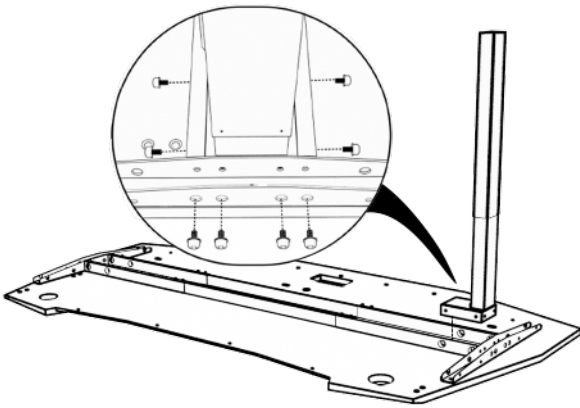
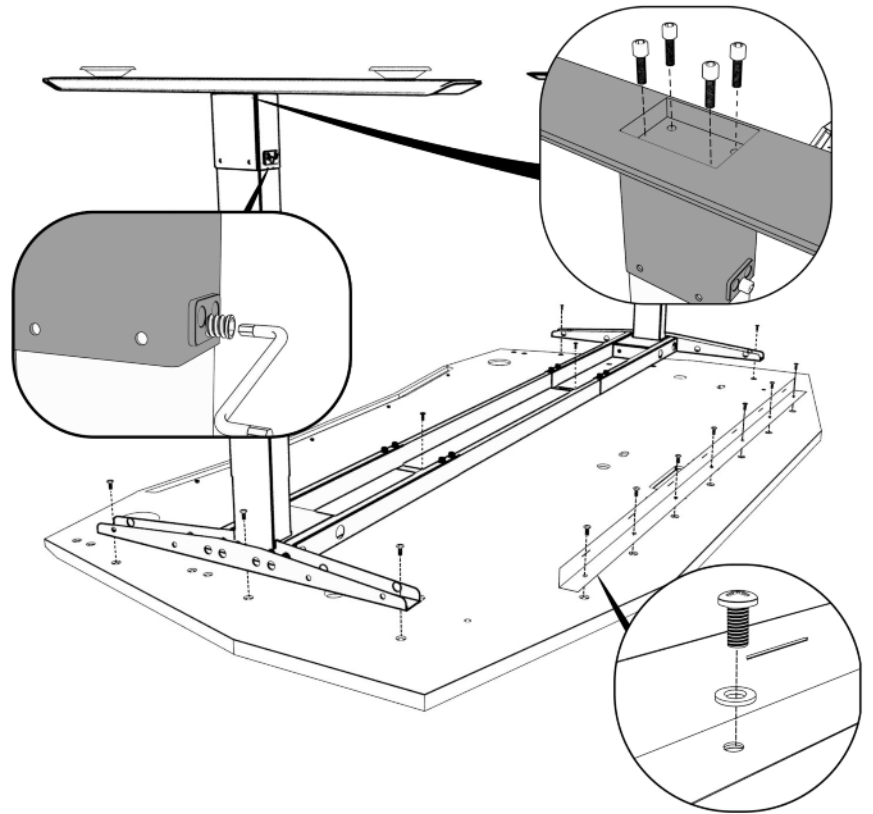
1

Step One

Assemble the motorized legs as per included manual.

Place desk surface to the floor and fix electric platform to using M6 screws as shown on the illustration right.

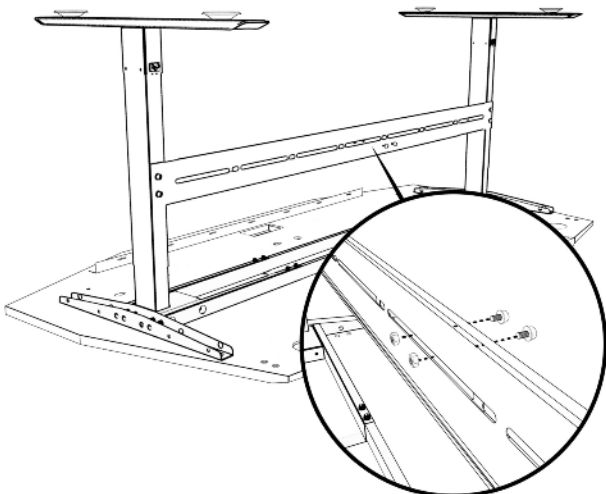
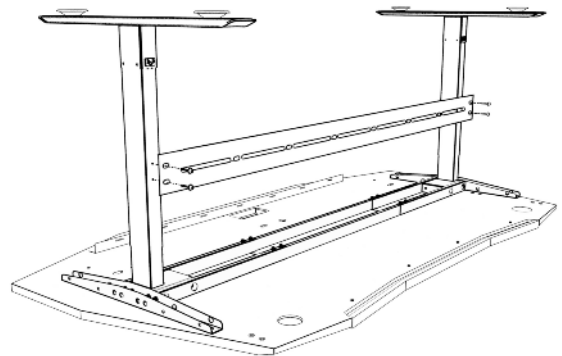
From the top use hexagon long screws as shown on the illustration.



2

Step TWO

Install Metal bridge with M6 screws.



3

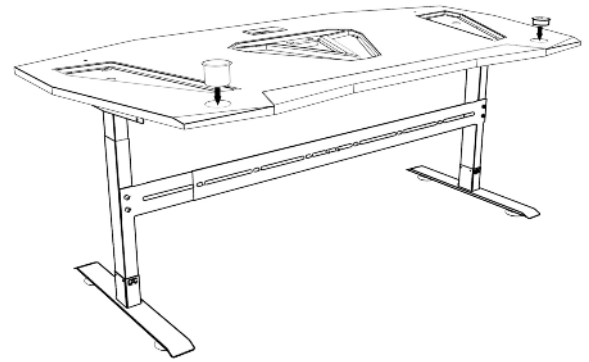
Step Three

Fasten bridge with nuts and M6 screws.

4

Step Four

Turn desk to standing position and install controller and metal cap holder.



5

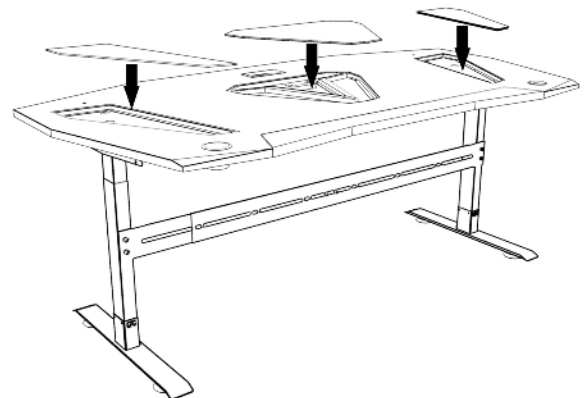
Step Five LED Lights

Please follow our step-by-step video assembly manual to connect led lights properly.

6

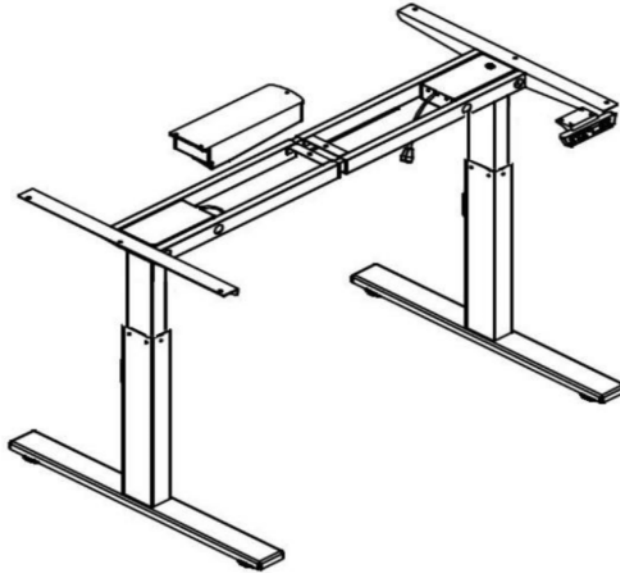
Step Six

Put glass carefully into the place.
To control LED lights you'll need app shown
the video on the link above.



XTCL200 Electric In Height Adjustable Desk Frame

ASSEMBLY MANUAL



Electric In Height Adjustable Desk Frame 2 lifting column 2 stages Item No. XTCL200

GBT 33242008 <<Furniture general technical conditions>>
GBT 33252008 <<Metal furniture general technical conditions>>
EN 125212009 <<Furniture Strength, durability and safety Requirements for domestic tables>>

Follow me

1. First check contents to make sure nothing is missing.
2. Sort out the parts and fittings as shown; assemble the product step by step.
3. It is preferable to rest the product on a soft surface to avoid damage.
4. Do not tighten the screws before fully assembled. Finish with care.
5. After the installation is complete, moving products need to force to the metal stents, please do not directly effect on the panel.
6. This product installation should be performed by adults only.

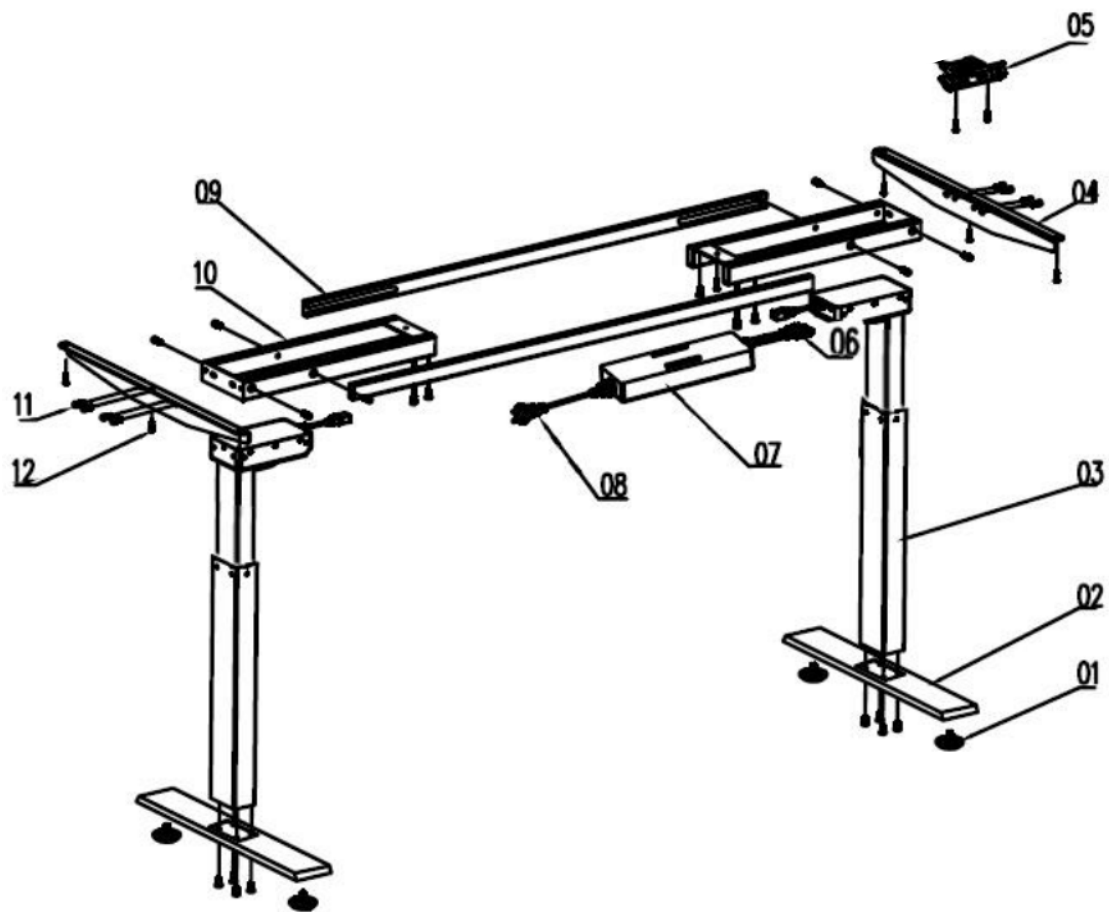
AFTER CARE

To clean metal frame using a soft cloth moistened in lukewarm soap and water .
Then buff with dry clean cloth.

Important Notice

1. Maximum load bearing 200 kg.
2. Height adjustable : 700 - 1200mm

A . Exploded view

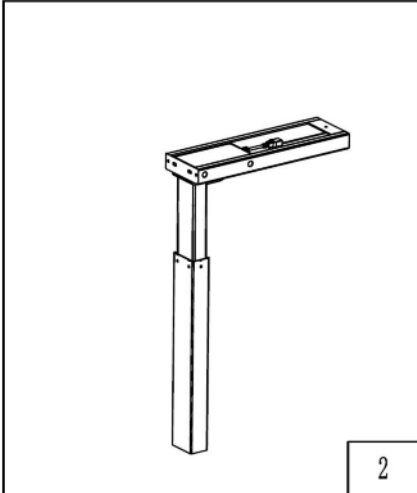
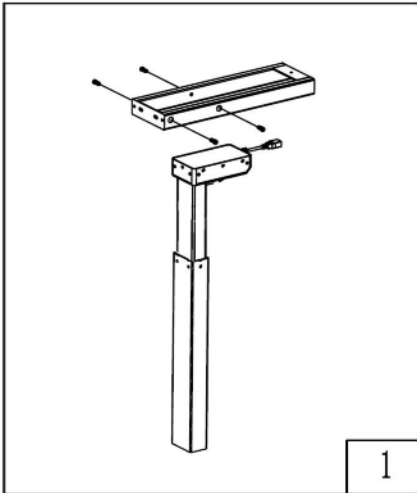


B. Part List

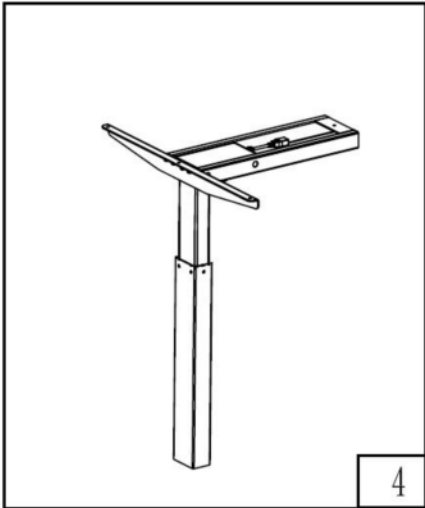
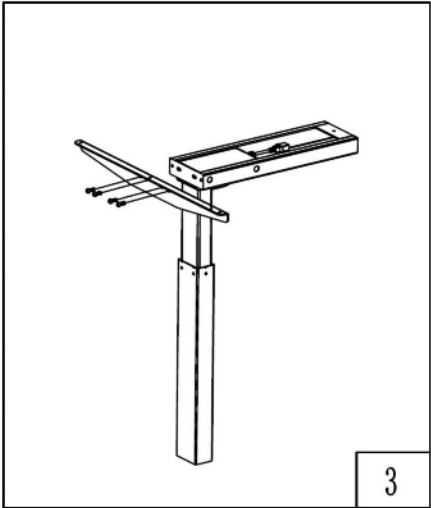
1. Adjustable foot	4pc	8. Power line	1pc
2. Bottom	2pc	9. Extendable rod	2pc
3. Height adjustable	2pc	10. Upper beam	2pc
4. Top support	2pc	11. M6×12 screw	32pc
5. Control Switch	1pc	12. ST4×16 screw	15pc
6. 6Core patch cord	2pc	13. Ribbon	5pc
7. Control box	1pc	14. Allen key	1pc

C. Assembly

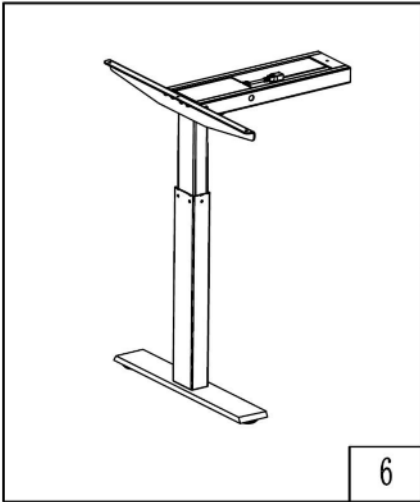
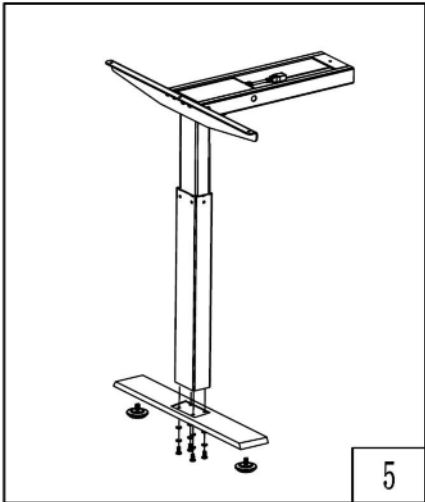
1. Install the frame work on lifting columns with Allen key (Pic 1 and Pic 2)



2. Install the top support with Allen key (Pic 3 and Pic 4)



3. Install the bottom with Allen key (Pic 5 and Pic 6)



4. Install the extendable rod to the hole of frame and fix it with Allen key (Pic 7 and Pic 8)

