

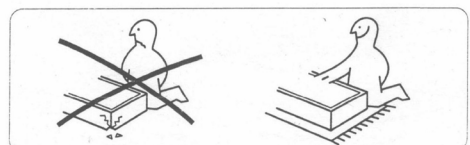
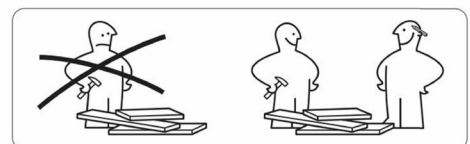


# ASSEMBLY MANUAL

## Enterprise Electric Series and Keyboard pull out option

Video Assembly manual is also available.

Search for Enterprise Electric desk - Video assembly manual on the YouTube.



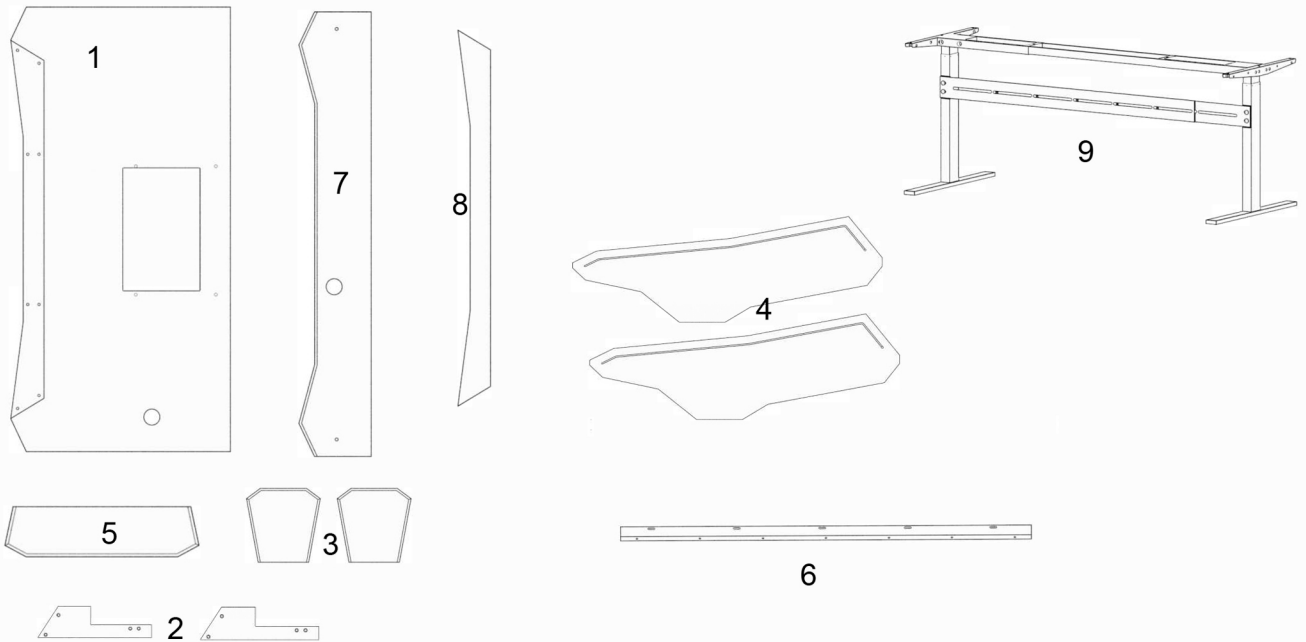
- ! NOTE: In order to avoid injury or damages, please do not try to assemble your desk alone.
- The Beat is massive and heavy desk and requires at least two people to carry out assembly. Please assemble on soft surface to avoid scratches to the lacquer.

# Thank you for making StudioDesk your desk of choice!

Before beginning assembly of your desk, let's get familiar with the parts you have received in your package. Please match the corresponding numbers on this page with the drawings.

## Wooden parts

1. Desk Surface 2. Rack dividers - (Left and right) 3. Speaker shelves  
 4. Legs (left and right) 5. Rack top shelf 6. Strengthening Bar 7. Top shelf 8. Armrest 9. Electric platform



## Hardware

## Tools needed (Not included)

M6 x 12 screw 29 pcs	Cable inlay 1 pc	Washer 5 Pcs	Screws for speaker Shelves M8 x 48 mm 2 pcs
LED SET <b>ENT EL</b>	Wooden dowel 16 pcs	Controller	Metal bracket 4 pcs
M6 x 25 8 pcs	Screw for wood 4 x 20 6 pcs	Rack Rail 3U 2 pcs	Shelf holder 2 pcs
Cage nuts and M6 Screws M6 x 12 Pcs Cage nuts x 12 pcs			

Rubber hammer



Phillips Screwdriver

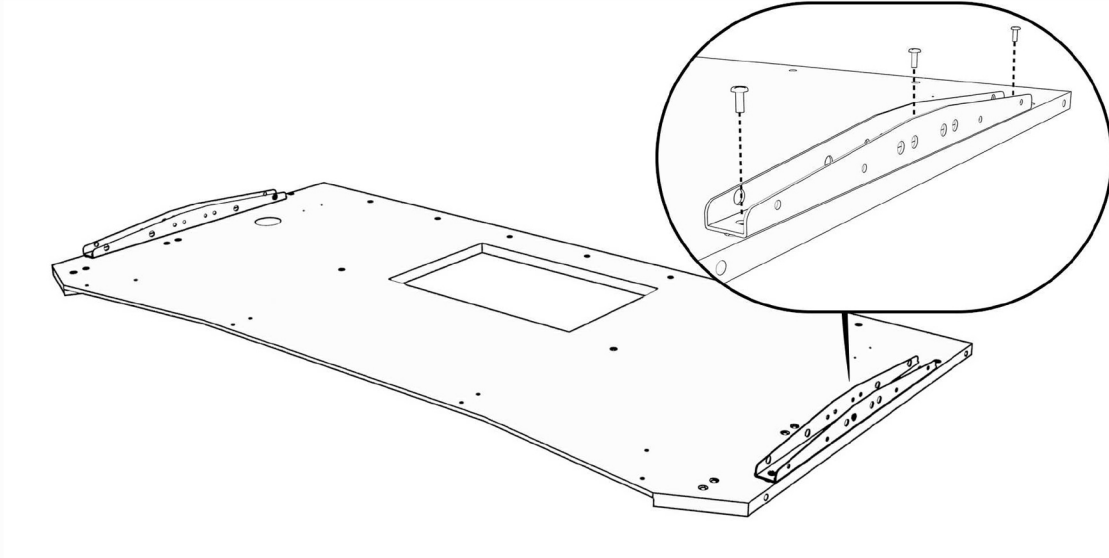
Hexagon Wrench  
Included



1

### Step One

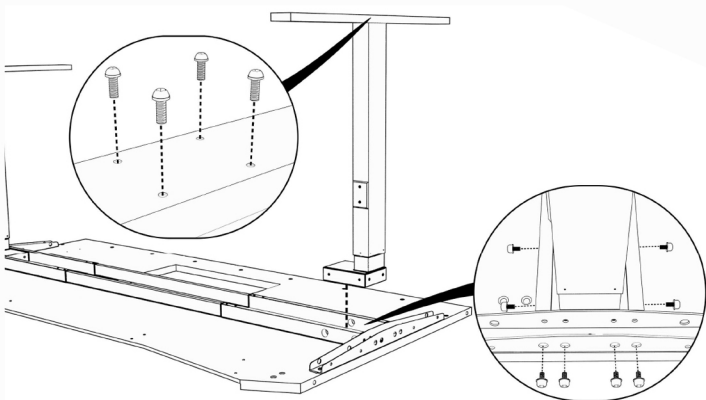
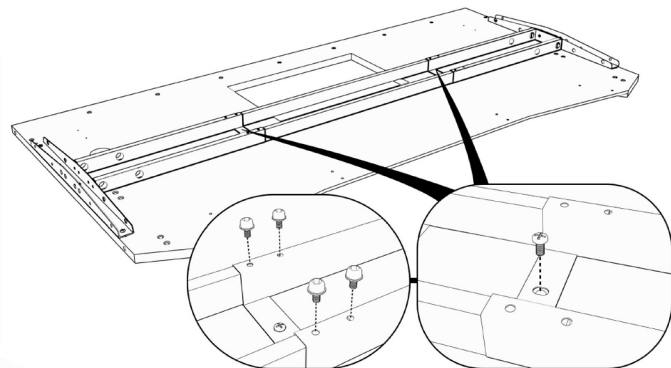
Place desk top to the soft surface and install desk base as shown on the picture below. Please note that large holes in the Middle has to be turned out.



2

### Step Two

Fix the metal bridge to the base as shown on the right.



3

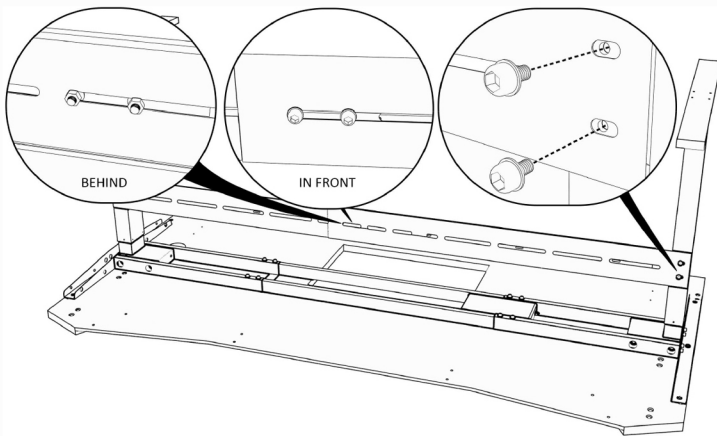
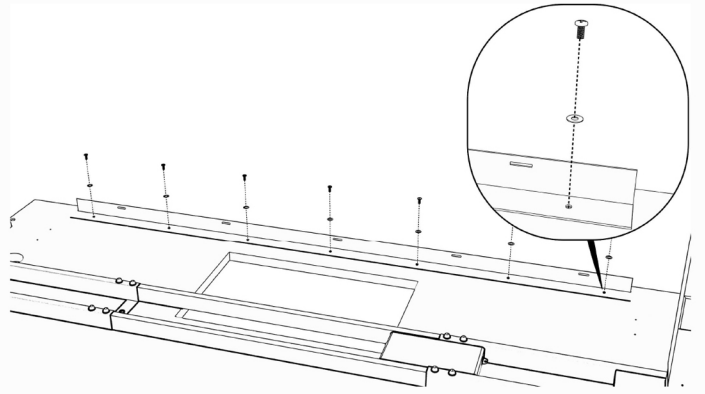
### Step Three

Install legs with motors as shown left. Use M6 screws with Hexagon head enclosed to Electric platform.

4

## Step Four

Install the cable management using Washers and M6 with cross head screws.



5

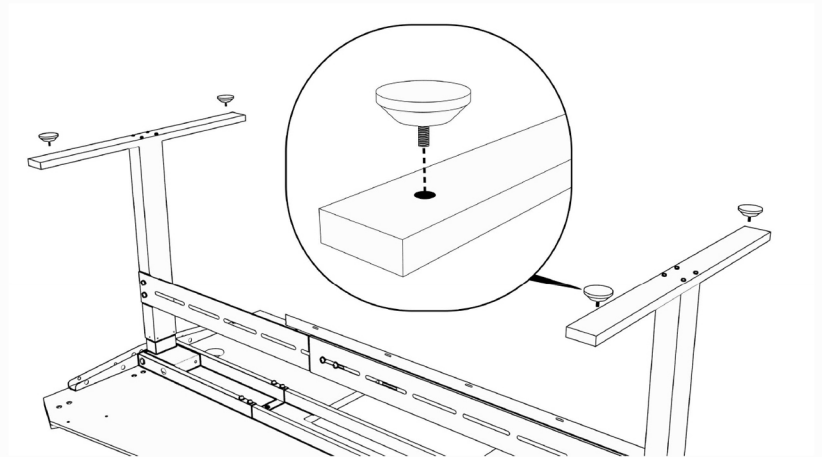
## Step Five

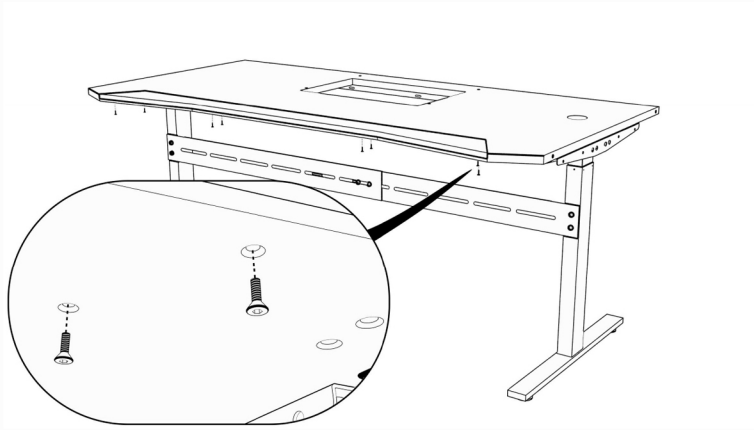
Install the stabilizing bridge as shown on the picture on the left.

6

## Step Six

Install desk glides as shown on the picture.



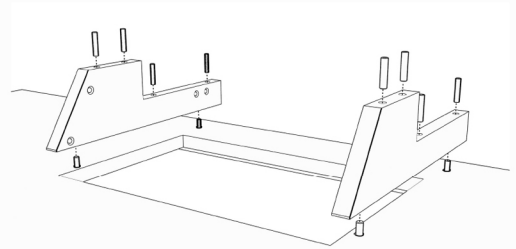


## 7 Step Seven

Turn desk to the standing position.  
Minimum 2 people is needed to do this step.  
Fix the armrest using screws M6 x 25 screws.  
Do not use electric machines here.  
At first insert screws with the hand in place  
And fasten it using small hexagon wrench tool  
included in your hardware.

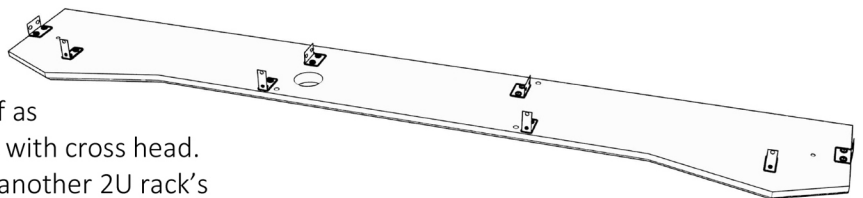
## 8 Step Eight

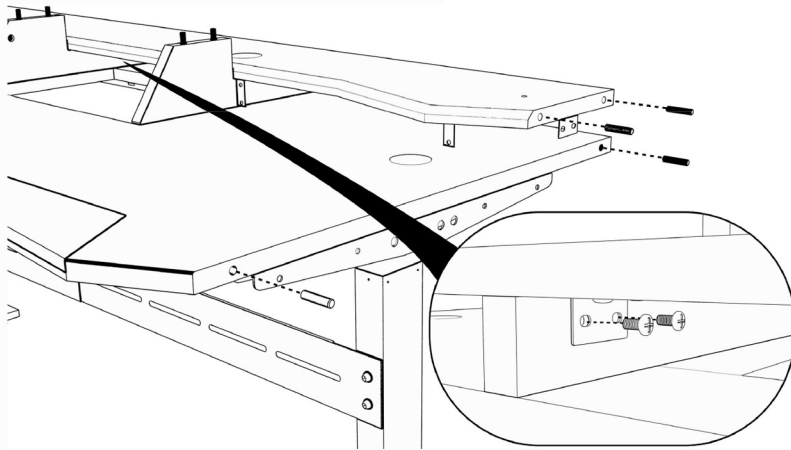
Insert wooden dowels as shown on the picture  
On the right side. Be gentle while doing that.  
Set rack dividers in place as shown.



## 9 Step Nine

Install metal brackets to the top shelf as  
shown on the right, using M6 screws with cross head.  
If you ordered optional rack rails for another 2U rack's  
Install them now using M6 Screws.



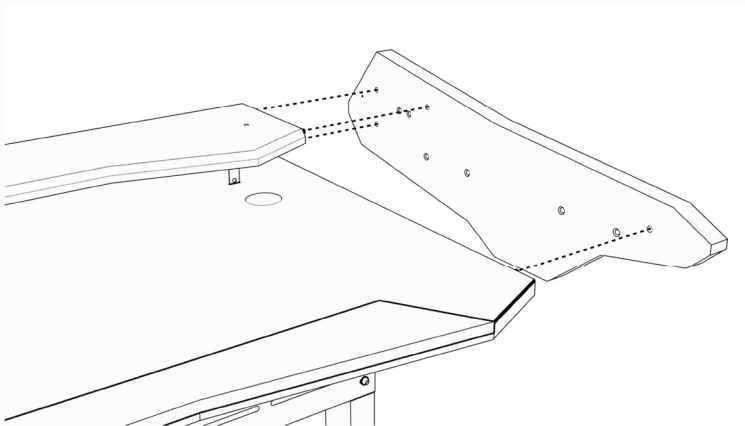
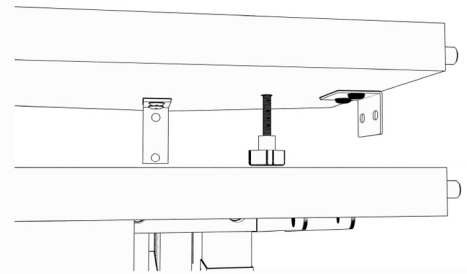


## 10 Step Ten

Carefully place top shelf on the rack dividers and fix it to the dividers with previously installed metal brackets

## 11 Step Eleven

Insert screws with the plastic head as shown on the right. Do that on the both sides. This screw will hold your speaker Shelves. You will not be able to insert it later so please do this Now.

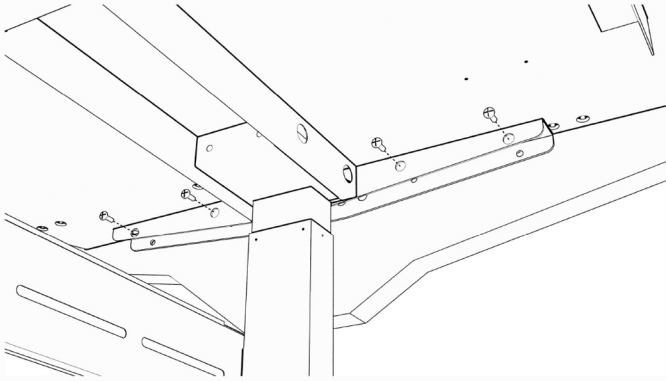
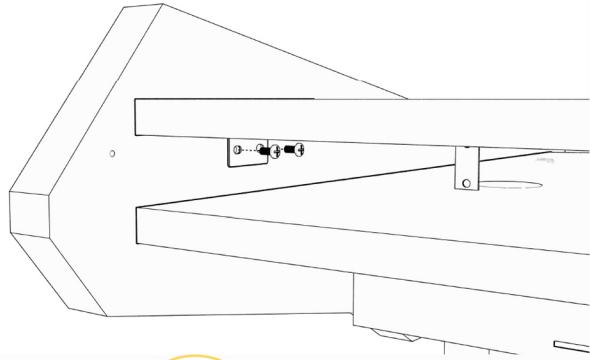


## 12 Step Twelve

Install sides to desk surface and top shelf By matching holes on the sides With wooden dowels. Side must be pushed In all the way so there is no gap in between Side and desk surface and top shelf.

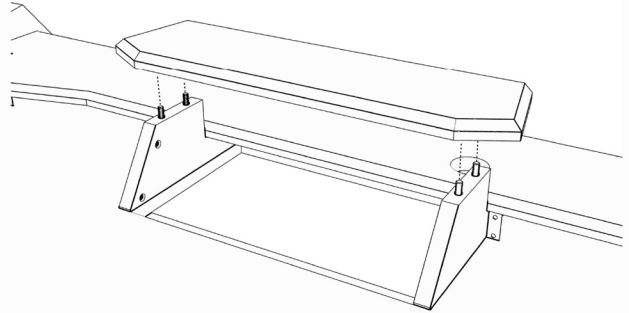
## 13 Step Thirteen

Fix sides to the desk surface with M6 screws  
With cross head as shown on the right.



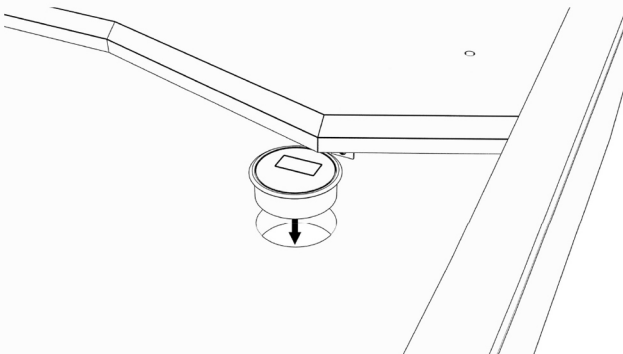
## 14 Step Fourteen

Fix sides to the desk surface with M6 screws  
Also from the bottom side as shown on the left.



## 15 Step Fifteenth

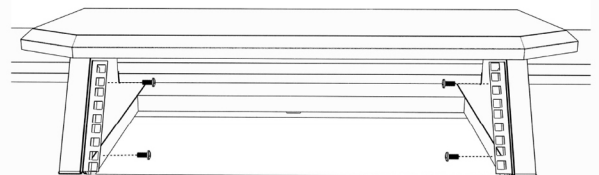
Inside rack shelf by pushing it on  
The wooden dowels.



## Step Sixteen

16

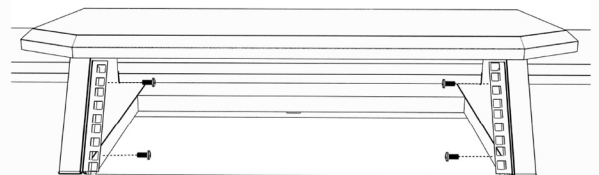
Install electric platform  
Controller and connecting it  
to the controller underneath.



17

## Step Seventeen

Install rack rails using M6 Screws  
With Cross head.

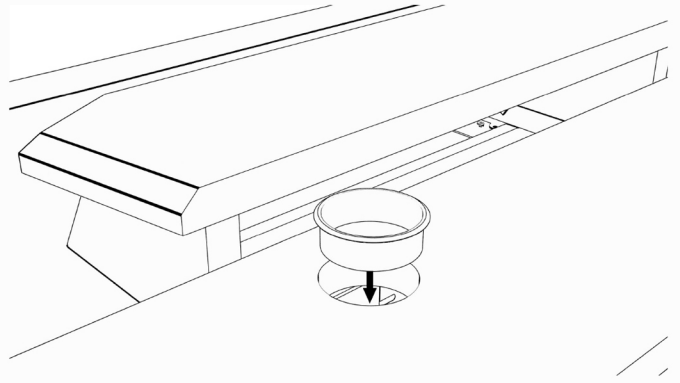
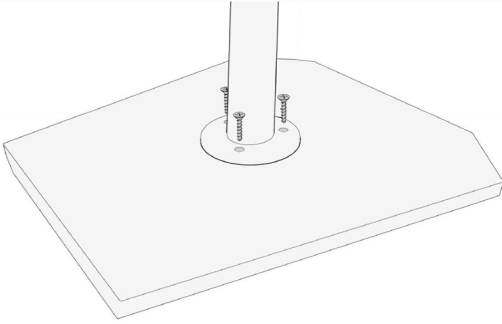




18

### Step Eighteen

Install cable inlay on the top Shelf. Use rubber hammer if needed.



19

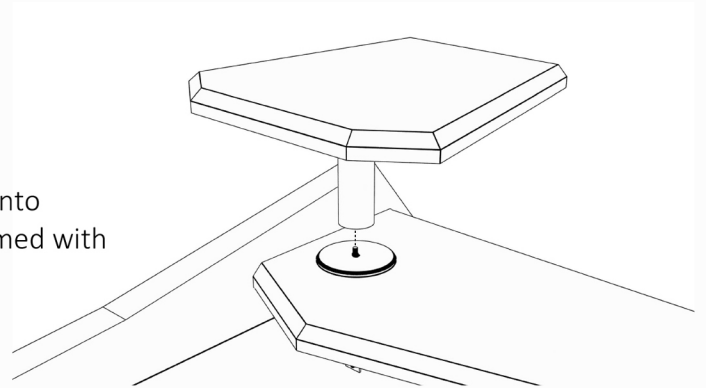
### Step Nineteen

Install Shelf holder to the speaker shelf using screws for wood 4x20.

20

### Step Twenty

Fix top shelf holder over metal plate by screwing screw with the plastic head into the holder. This operation can be performed with Hand only.

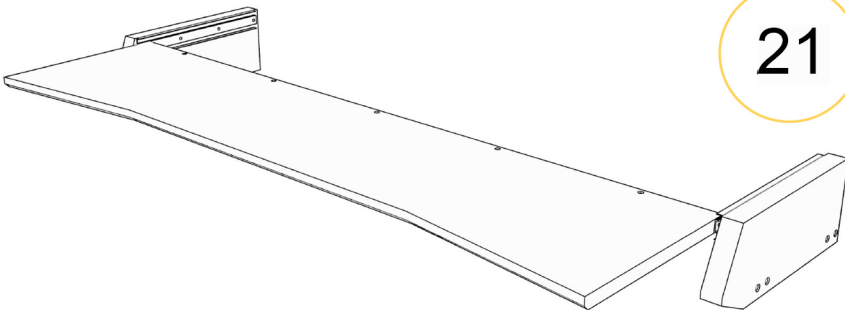


**If you purchase optional keyboard pull out, here is how to assemble it.**

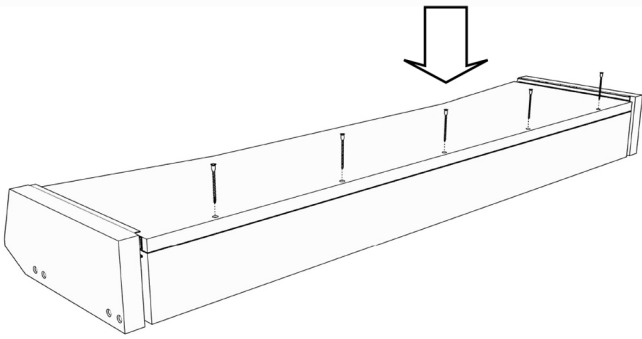
21

### Step Twenty one

Put together sides of the pull out and keyboard main board as shown on the left. Ball mechanism is pre-installed







22

## Step Twenty two

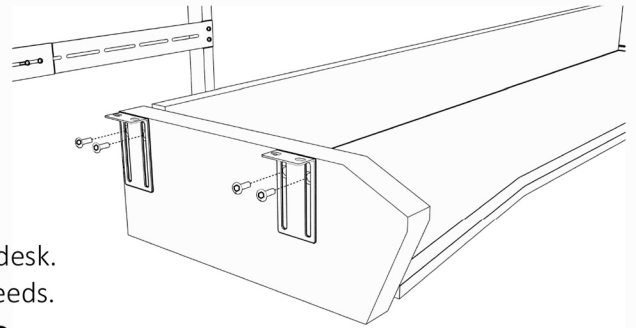
Screw vertical board to the keyboard Desk board using Confirmat screws. Leave middle screws unscrewed.

23

## Step Twenty three

Install adjustable brackets to the sides as shown on the right on the both sides. Measure your keyboard height before fixing it to the desk. Fix all brackets on the same level according to your needs.

**IMPORTANT! Use Hexagon M6 Screws here**



24

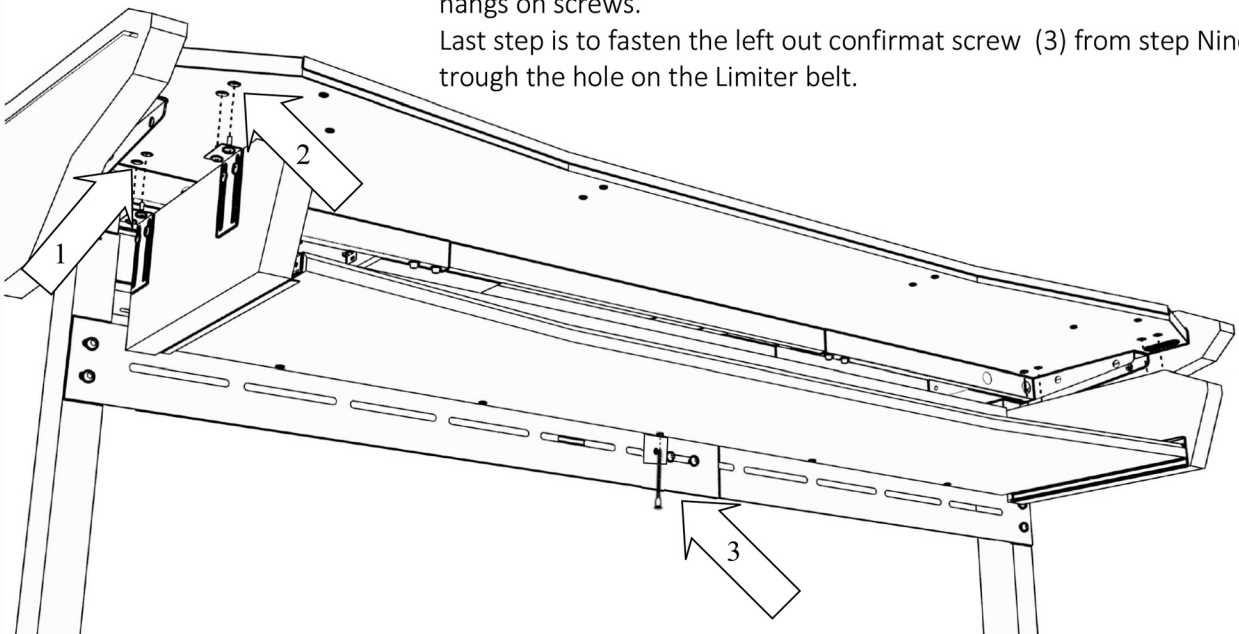
## Step Twenty four

**Please use help of another two pair of hands here.**

While two people fastening pull out to the desk using M6 screws, third person helping to hold it into the position.

First, fasten screw (1) on the back and screw on the front (2) on both sides. This will allow you to fasten rest of the screws in place while pull out hangs on screws.

Last step is to fasten the left out confirmat screw (3) from step Nine through the hole on the Limiter belt.



**Congratulations, your brand new desk is ready!**