



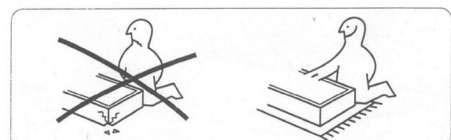
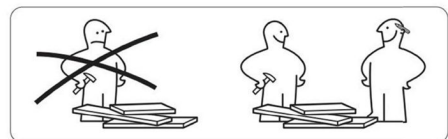
# ASSEMBLY MANUAL

## Music Commander Series

Video Assembly manual is also available.

Search for Music Commander V2 desk - Video assembly manual on Youtube

- ! NOTE: In order to avoid injury or damages, please do not try to assemble your desk alone.
- The Beat is massive and heavy desk and requires at least two people to carry out assembly.
- Please assemble on soft surface to avoid scratches to the lacquer.

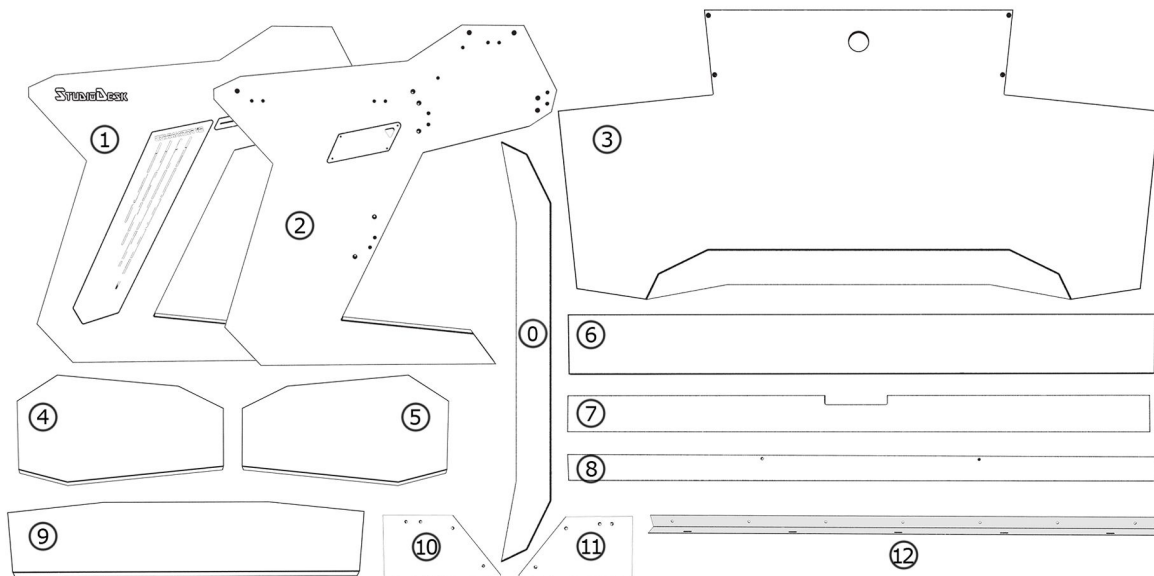


## Thank you for making StudioDesk your desk of choice!

Before beginning assembly of your desk, let's get familiar with the parts you have received in your package. Please match the corresponding numbers on this page with the drawings.

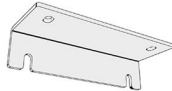
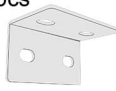



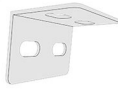





### Wooden parts

0. Armrest 1. Right leg 2. Left Leg 3. Desk Surface 4. Left Shelf 5. Right Shelf 6,7,8. Strenghtening Boards  
 9. Middle Shelf 10. Left Rack Divider 11. Right Rack Divider 12. Strenghtening Bar



### Hardware

### Tools needed (Not included)

<p>⑬ Shelf Rail 4 pcs</p> 	<p>⑭ Metal bracket 90 10 pcs</p> 	<p>⑮ Rack Rail 4 pcs</p> 	<p>⑯ Wood Screws 13 pcs</p> 
<p>⑰ Wooden Dowels 28pcs</p> 	<p>⑱ Metal bracket 96 6 pcs</p> 	<p>⑲ Cage Nut 16 pcs</p> 	<p>⑳ Desk Tips 4 pcs</p> 
<p>㉒ Cable Entry 1 pcs</p> 	<p>㉓ Conformat Screw 7x60mm 2 pcs</p> 	<p>㉔ M6x12 Screw 80 pcs</p> <p>㉕ M6x16 Screw 16 pcs</p> 	

Rubber hammer



Phillips Screwdriver

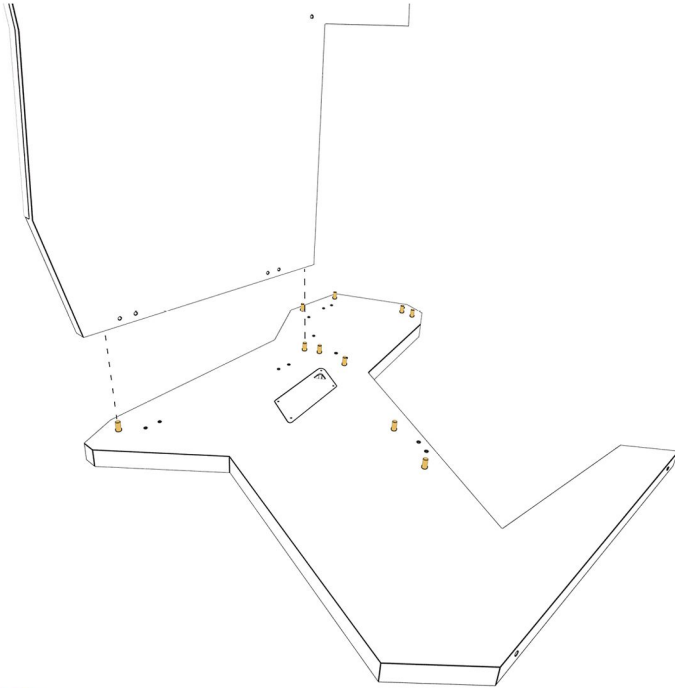
Hexagon Wrench  
Included



1

## Step One

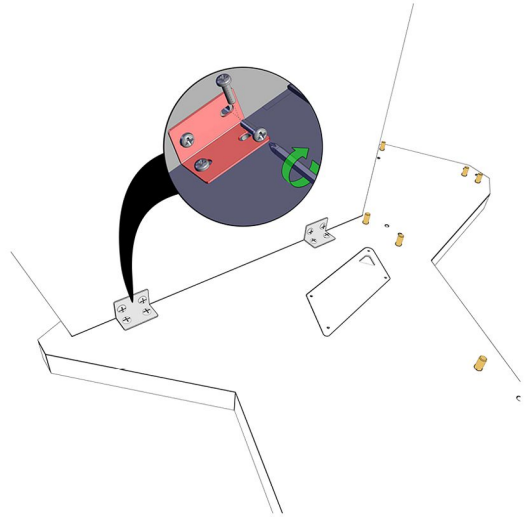
Insert dowels (17) into the holes and attach desk surface (3) as shown on the illustration.



2

## Step Two

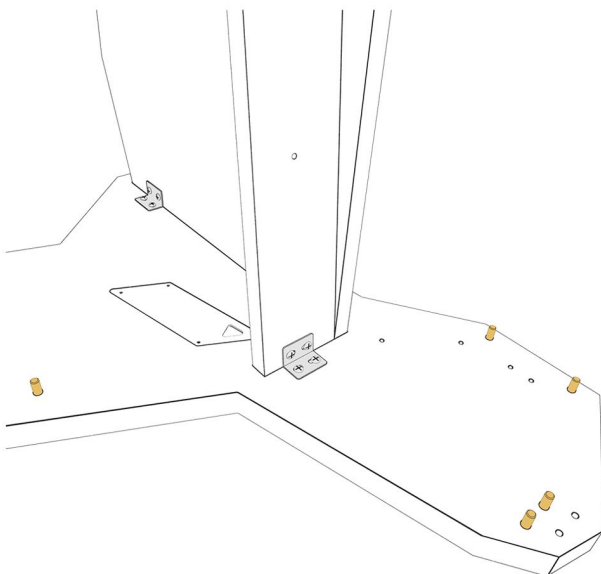
Install metal brackets (14) on desk surface (3) and left leg (2). Use M6x12.



3

## Step Three

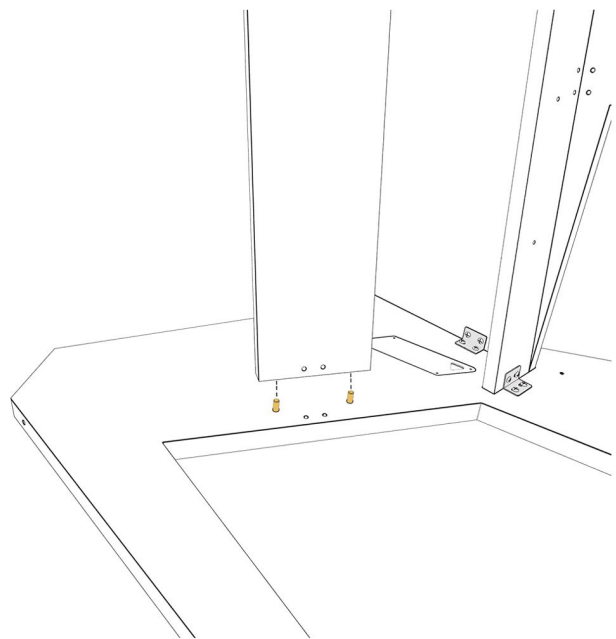
Attach strengthening board (7) below, and add metal brackets (18).



4

## Step Four

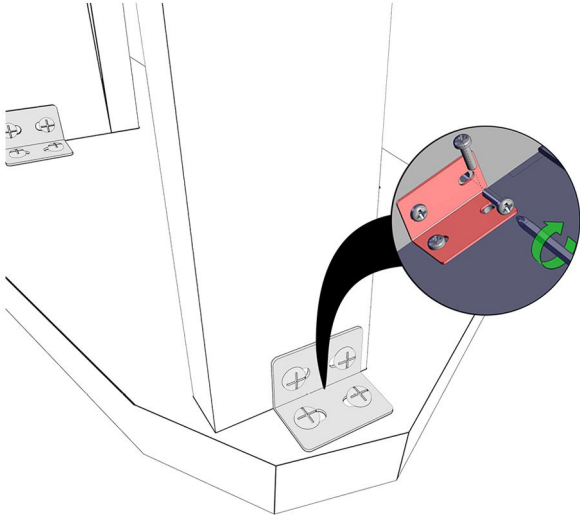
Attach strengthening board (6) and add metal bracket (18).



5

### Step Five

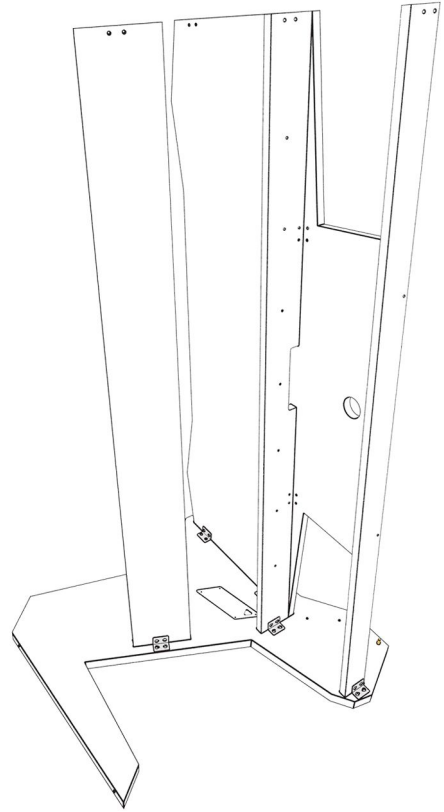
Attach strengthening board (8) to the left leg (2) and add metal bracket (18).



6

### Step Six

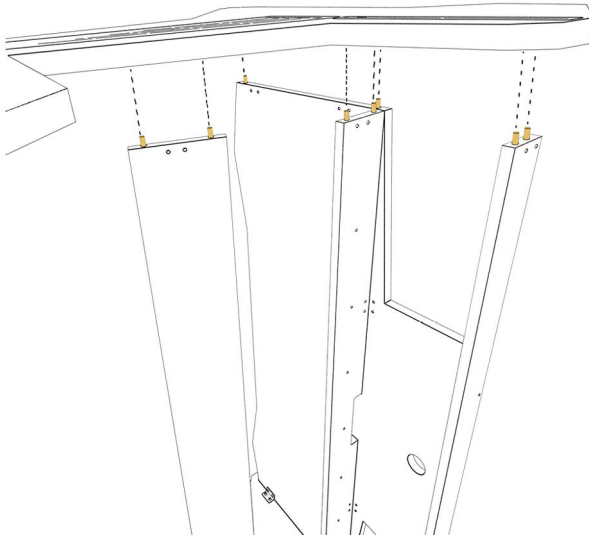
Now we have assembled parts as shown on picture below.



7

### Step Seven

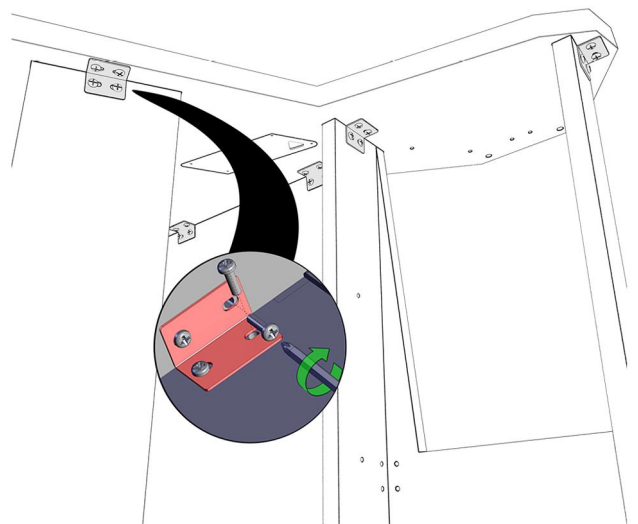
Connect right leg (1) to desk surface (3) and boards. Use corresponding dowels (17) to locate positions. Do not do that alone. Use someone help.



8

### Step Eight

Fix the leg with the middle parts with metal brackets (14,18) as illustrated below.



9

### Step Nine

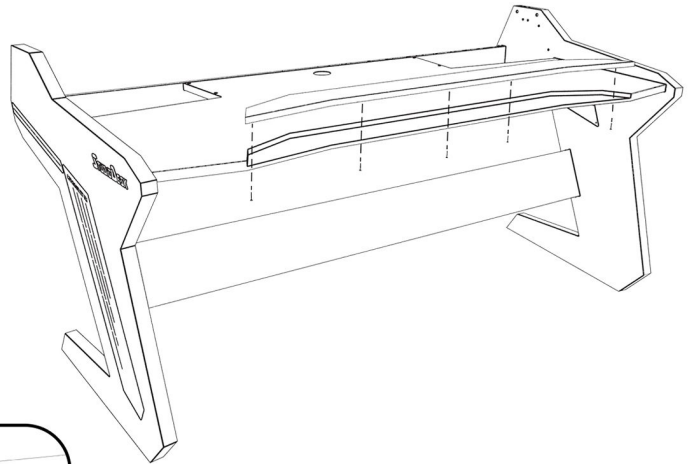
Add small leveling tips (20), 2 pieces per leg, as shown below. Add two brackets (14) between strengthening board (7) and desk surface.(3) Add metal bar (12) on strengthening board.



10

### Step Ten

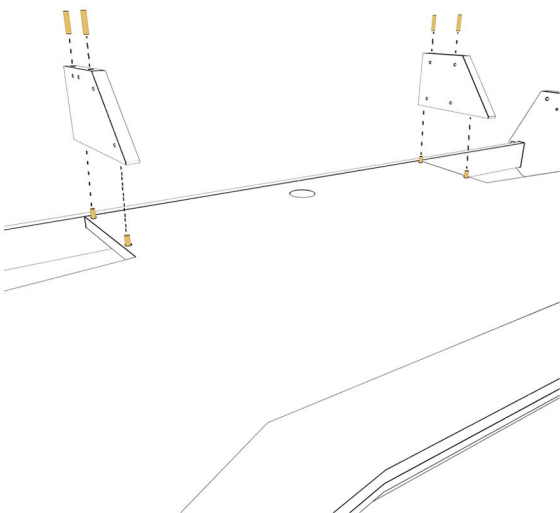
Your desk should look like below when rotated. Now fix your armrest (0) using wood screws (16).



11

### Step Eleven

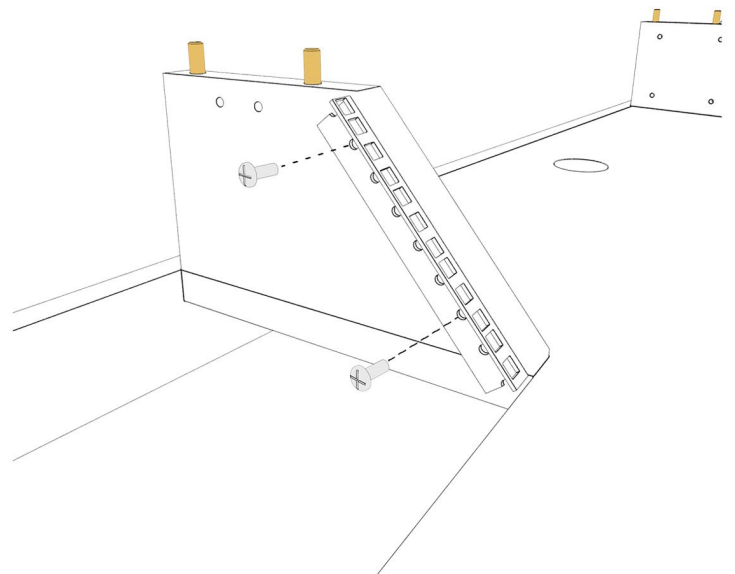
Attach rack dividers (10,11) to desk surface, using dowels.



12

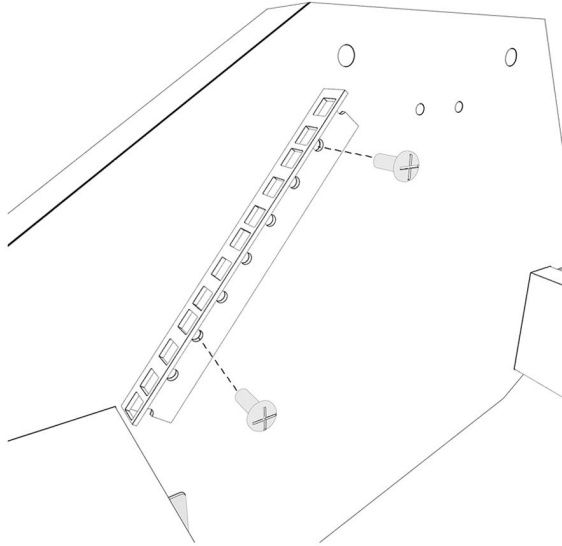
### Step Twelve

Install rack rails (15) to rack dividers, and use M6 x 12 screws (24).



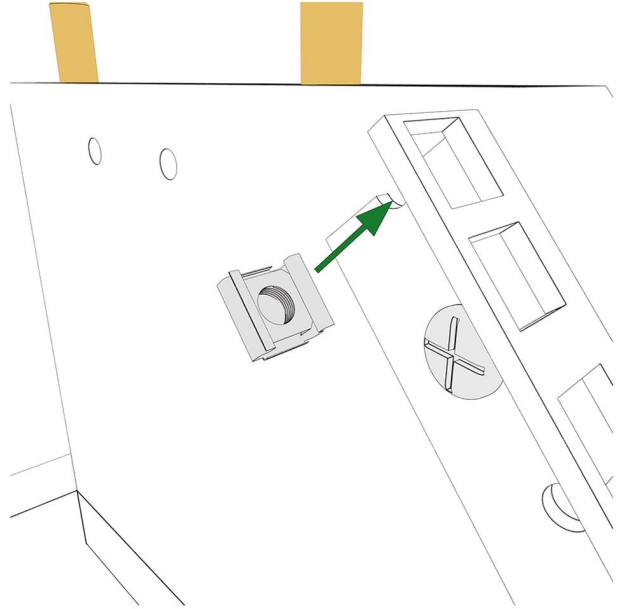
### 13 Step Thirteen

Install rack rails (15) to legs. Use M6x12 screws.



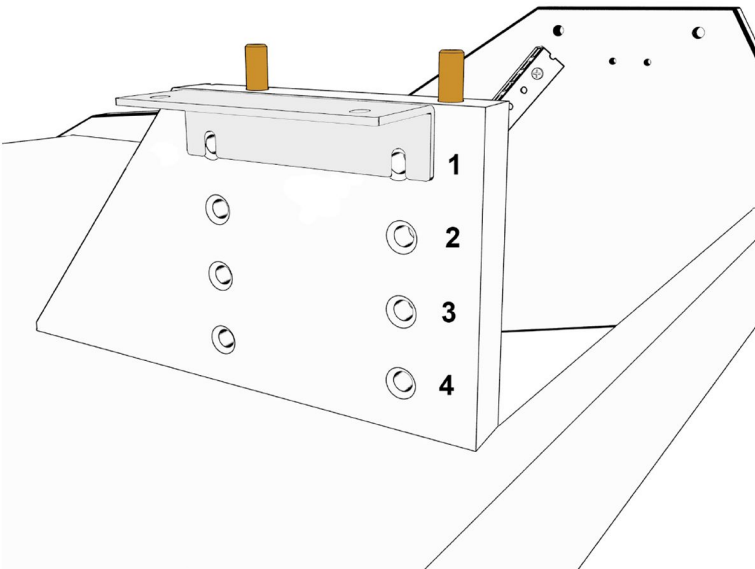
### 14 Step Fourteen

Install cage nuts (19) to rack rail.



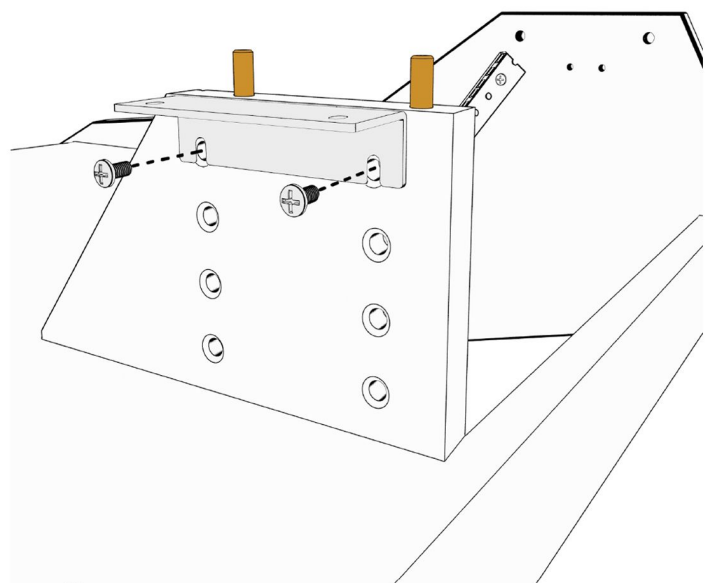
### 15 Step Fifteen

Choose desired position for your shelf.



### 16 Step Sixteen

Connect shelf brackets (13). Use M6x12.

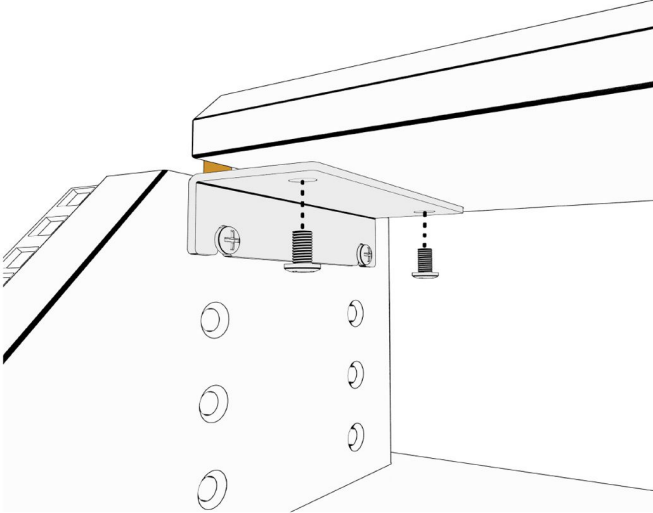




17

### Step Seventeen

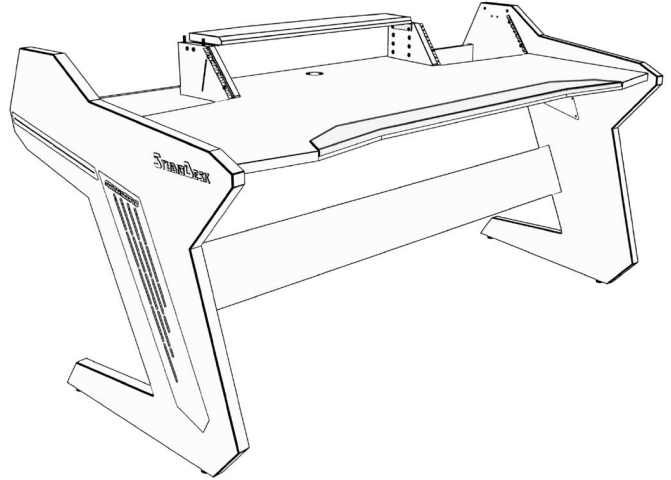
Add M6x12 screws to tighten middle shelf (9).



18

### Step Eighteen

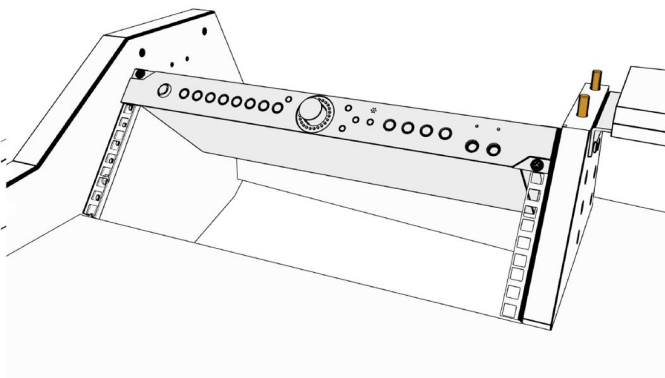
Your desk should look like below.



19

### Step Nineteen

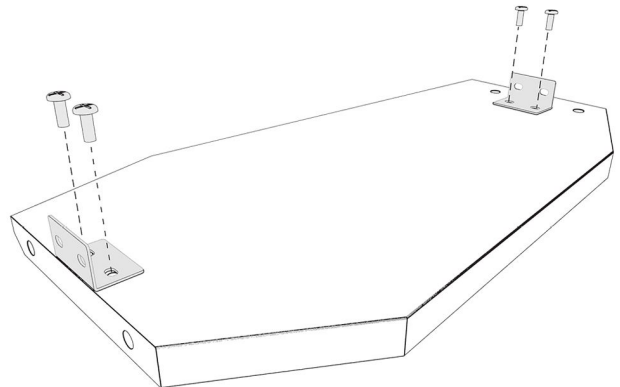
Now you can add your first rack component.  
Use M6x16 screws (25).



20

### Step Twenty

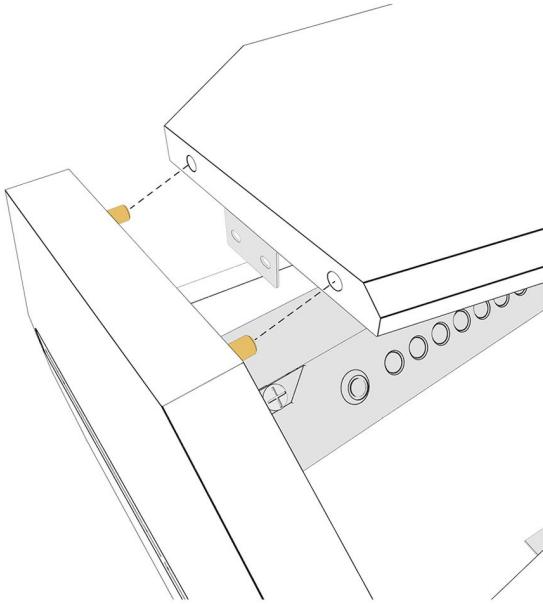
Add metal brackets (14) to side shelf first.  
Use M6x12 screws.



21

### Step Twenty One

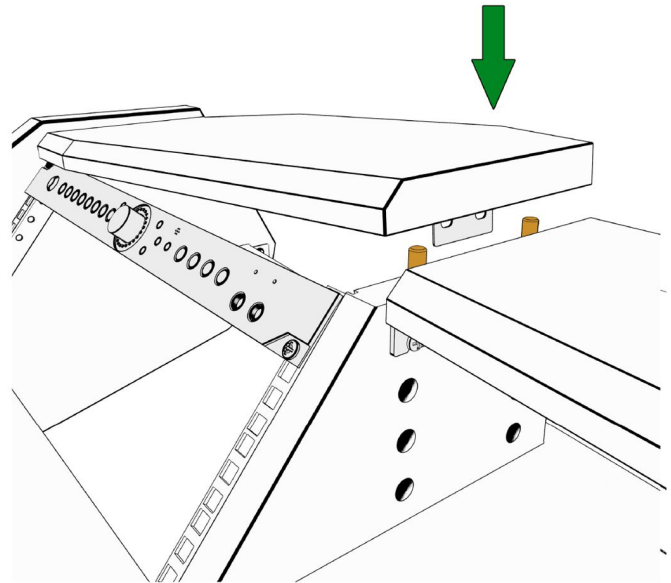
Connect left and right shelf (4,5) to the legs.



22

### Step Twenty Two

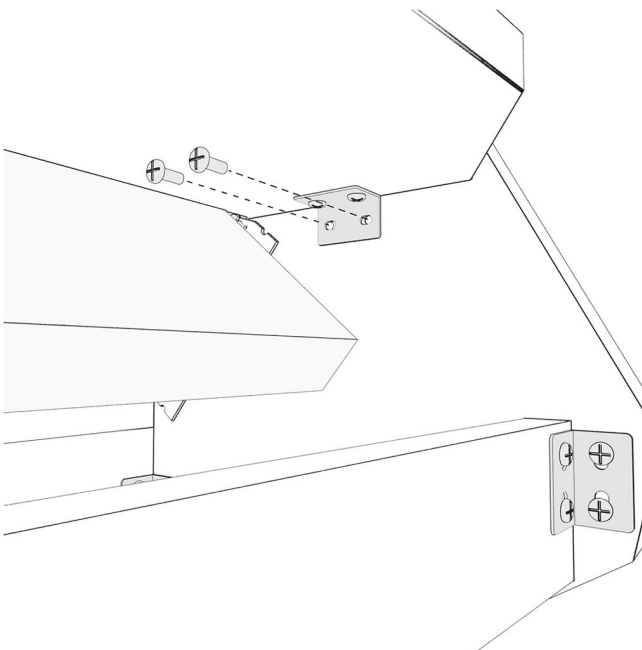
Then put down the other side on divider dowels.



23

### Step Twenty Three

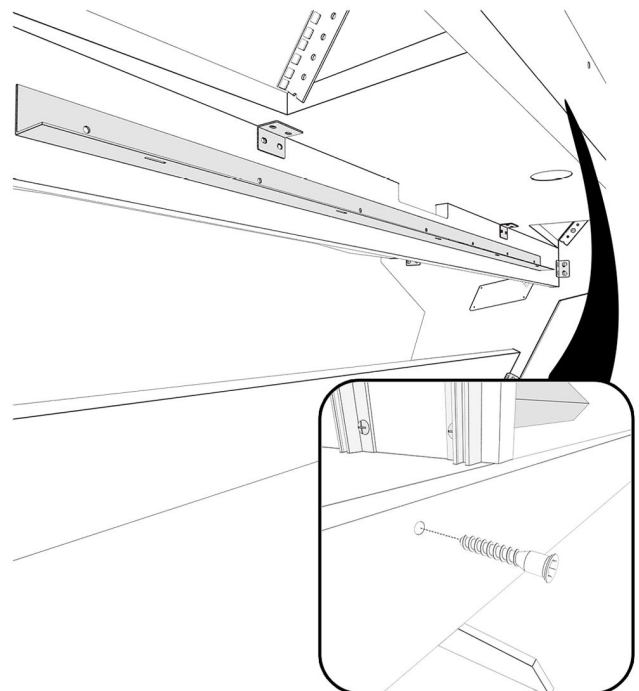
Tighten screws on both sides of shelf below, on both shelves.



24

### Step Twenty Four

Use two confirmat screws (23) to connect strenghtening board (8) with desk surface (3).





# 25

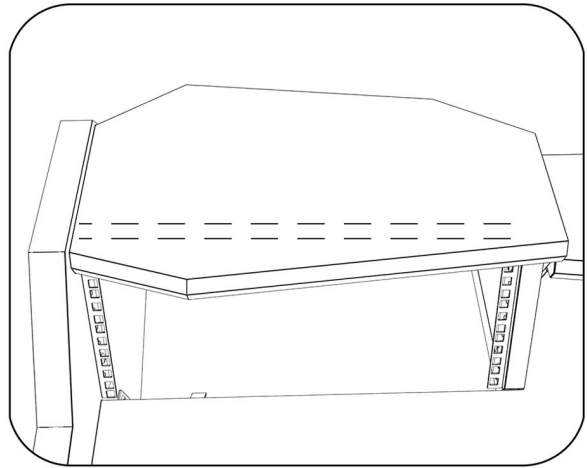
## Step Twenty Five

There are 5 lighting positions: left and right rack shelf, main desk surface, left and right leg alu panels.

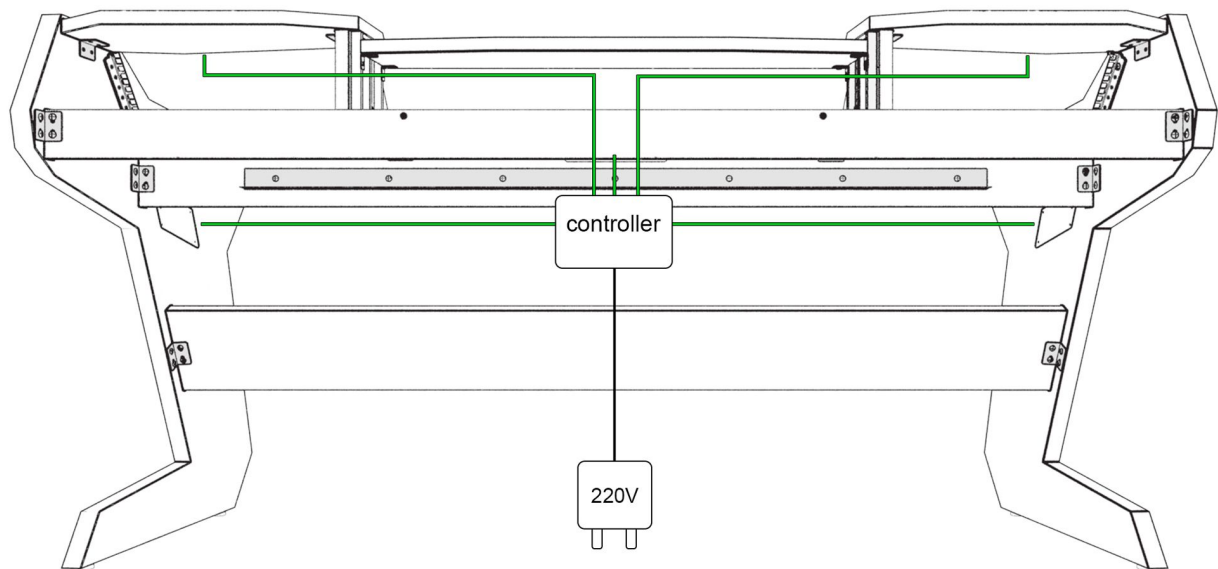
DETAIL A: Picture shows front side of the desk. Stripe is mounted below the armrest position.

DETAIL B: To install your side LEDs, you should unscrew 4 wood screws and stick the stripe on top of the opening. Cable comes out through triangle shaped hole on aluminium cap.

DETAIL C: Install your LED stripe below the rack shelves, and follow the straight line of your device.



DETAIL C



DETAIL A

DETAIL B

